



Simply Better Connections

CL6708MW

8-Port USB DVI Single Rail
WideScreen LCD KVM Switch
User Manual

Compliance Statements

FEDERAL COMMUNICATIONS COMMISSION INTERFERENCE STATEMENT

This equipment has been tested and found to comply with the limits for a Class A digital device, pursuant to Part 15 of the FCC Rules. These limits are designed to provide reasonable protection against harmful interference when the equipment is operated in a commercial environment. This equipment generates, uses, and can radiate radio frequency energy and, if not installed and used in accordance with the instruction manual, may cause harmful interference to radio communications. Operation of this equipment in a residential area is likely to cause harmful interference in which case the user will be required to correct the interference at his own expense.

The device complies with Part 15 of the FCC Rules. Operation is subject to the following two conditions: (1) this device may not cause harmful interference, and (2) this device must accept any interference received, including interference that may cause undesired operation.

FCC Caution

Any changes or modifications not expressly approved by the party responsible for compliance could void the user's authority to operate this equipment.

Warning

Operation of this equipment in a residential environment could cause radio interference.

Achtung

Der Gebrauch dieses Geräts in Wohnumgebung kann Funkstörungen verursachen.



KCC Statement

유선 제품용 / A 급 기기 (업무용 방송 통신 기기)
이 기기는 업무용 (A 급) 전자파적합기기로서 판매자 또는 사용자는 이
점을 주의하시기 바라며, 가정 외의 지역에서 사용하는 것을 목적으로
합니다.

Industry Canada Statement

This Class A digital apparatus complies with Canadian ICES-003.

CAN ICES-003 (A) / NMB-003 (A)

RoHS

This product is RoHS compliant.

User Information

Online Registration

Be sure to register your product at our online support center:

International	http://eservice.aten.com
---------------	---

Telephone Support

For telephone support, call this number:

International	886-2-8692-6959
China	86-400-810-0-810
Japan	81-3-5615-5811
Korea	82-2-467-6789
North America	1-888-999-ATEN ext 4988 1-949-428-1111

User Notice

All information, documentation, and specifications contained in this manual are subject to change without prior notification by the manufacturer. The manufacturer makes no representations or warranties, either expressed or implied, with respect to the contents hereof and specifically disclaims any warranties as to merchantability or fitness for any particular purpose. Any of the manufacturer's software described in this manual is sold or licensed *as is*. Should the programs prove defective following their purchase, the buyer (and not the manufacturer, its distributor, or its dealer), assumes the entire cost of all necessary servicing, repair and any incidental or consequential damages resulting from any defect in the software.

The manufacturer of this system is not responsible for any radio and/or TV interference caused by unauthorized modifications to this device. It is the responsibility of the user to correct such interference.

The manufacturer is not responsible for any damage incurred in the operation of this system if the correct operational voltage setting was not selected prior to operation. PLEASE VERIFY THAT THE VOLTAGE SETTING IS CORRECT BEFORE USE.

Product Information

For information about all ATEN products and how they can help you connect without limits, visit ATEN on the Web or contact an ATEN Authorized Reseller. Visit ATEN on the Web for a list of locations and telephone numbers:

International	http://www.aten.com
North America	http://www.aten-usa.com

Package Contents

Check to make sure that all the components are in working order. If you encounter any problem, please contact your dealer.

The CL6708MW's standard package consists of:

- ◆ 1 CL6708MW 8-Port DVI Single Rail LCD KVM Switch
- ◆ 1 custom USB DVI KVM cable set
- ◆ 1 power cord
- ◆ 1 firmware upgrade cable
- ◆ 1 user instructions

Contents

Compliance Statements	ii
User Information	iv
Online Registration	iv
Telephone Support	iv
User Notice	iv
Product Information	v
Package Contents	vi
Contents	vii
About this Manual	x
Conventions	xi
1. Introduction	
Overview	1
Features	2
Requirements	4
External Console	4
Computers	4
Cables	4
Operating Systems	5
Components	6
Front View	6
Rear View	8
2. Hardware Setup	
Overview	9
Before You Begin	9
Standard Rack Mount	10
Optional Rack Mount Kits	12
Grounding	12
Single-Level Installation	13
Cabling Diagrams	15
Multi-Level Installation	16
3. Basic Operation	
Opening the Console	19
Closing the Console	20
Operating Precautions	21
Powering Off and Restarting	22
LCD OSD Configuration	23
The LCD Buttons	23
LCD Adjustment Settings	24
Hot Plugging	25
Hot Plugging KVM Ports	25

Port Selection	25
Manual Port Switching	25
Port ID Numbering	26

4. OSD Operation

OSD Overview	27
OSD Login	27
Dedicated Invocation Key	27
OSD Hotkey	27
OSD Main Screen	28
OSD Main Screen Headings	28
OSD Navigation	29
OSD Functions	29
F1: GOTO	30
F2: LIST	30
F3: SET	31
F4: ADM	33
F5: SKP	36
F6: BRC	36
F7: SCAN	37
F8: LOUT	38

5. Keyboard Port Operation

Hotkey Port Control	39
Invoke Hotkey Mode	39
Dedicated Invocation Key	39
Number Lock and Minus Keys	40
Control and F12 Keys	40
Select the Active Port	40
Auto Scan Mode	41
Invoking Auto Scan	41
Skip Mode	43
Computer Keyboard / Mouse Reset	44
Hotkey Beeper Control	44
Quick Hotkey Control	45
OSD Hotkey Control	45
Port OS Control	46
Set USB Speed	46
Restore Default Values	47
Hotkey Summary Table	48

6. Keyboard Emulation

Mac Keyboard	51
Sun Keyboard	52

7. The Firmware Upgrade Utility

Introduction	53
Downloading the Firmware Upgrade Package	53
Preparation	54
Starting the Upgrade	55
Upgrade Succeeded	57
Upgrade Failed	58

Appendix

Safety Instructions	59
General	59
Rack Mounting	61
Consignes de sécurité	62
Général	62
Montage sur bâti	64
Technical Support	66
International	66
North America	66
Manufacturing Number	66
Specifications	67
Connection Table	69
CL6708MW to Compatible 8-Port Switches	69
Supported KVM Switches	69
Restoring Factory Default Settings	70
OSD Factory Default Settings	71
Troubleshooting	72
Limited Warranty	73

About this Manual

This user manual is provided to help you get the most out of your CL6708MW. It covers all aspects of the device, including installation, configuration, and operation.

The LCD KVM switch model covered in this manual is:

Model	Product Name
CL6708MW	8-Port USB DVI Single Rail WideScreen LCD KVM Switch

An overview of the information found in the manual is provided below.

Chapter 1, Introduction, introduces you to the CL6708MW, its purpose, features, and benefits, with its front and back panel components described.

Chapter 2, Hardware Setup, describes how to set up your CL6708MW, and the necessary steps — from a basic single-level hookup to a complete 17-switch two-level operation.

Chapter 3, Basic Operation, explains the fundamental concepts involved in operating the CL6708MW.

Chapter 4, OSD Operation, provides a complete description of the CL6708MW OSD (on-screen display), and the various functions provided

Chapter 5, Keyboard Port Operation, details all of the concepts and procedures involved in the hotkey operation of your CL6708MW installation.

Chapter 6, Keyboard Emulation, provides tables that list PC-to-Mac and PC-to-Sun keyboard emulation mappings.

Chapter 7, The Firmware Upgrade Utility, explains how to upgrade the CL6708MW's firmware to the latest available versions using the firmware upgrade utility.

Appendix, provides the specifications and other technical information at the end of the manual.


Note:

- ◆ Read this manual thoroughly and follow the installation and operation procedures carefully to prevent any damage to the unit or connected devices.

- ◆ The product may be updated, with features and functions added, improved or removed since the release of this manual. For an up-to-date user manual, visit <http://www.aten.com/global/en/>
-

Conventions

This manual uses the following conventions:

- | | |
|---|--|
| Monospaced | Indicates text that you should key in. |
| [] | Indicates keys you should press. For example, [Enter] means to press the Enter key. If keys need to be chorded, they appear together in the same bracket with a plus sign between them: [Ctrl+Alt]. |
| 1. | Numbered lists represent procedures with sequential steps. |
| ◆ | Bullet lists provide information, but do not involve sequential steps. |
| > | Indicates selecting consecutive options (such as on a menu or dialog box). For example, Start > Run means to open the <i>Start</i> menu, and then select <i>Run</i> . |
|  | Indicates critical information. |

This Page Intentionally Left Blank

Chapter 1

Introduction

Overview

The CL6708MW 8-Port DVI Single Rail LCD KVM Switch features an integrated 17.3" LED-backlit LCD panel along with a keyboard and touchpad, and allows access to and control of up to 8 computers. Additionally, as many as 8 additional switches can be cascaded for managing a total of 64 computers. The CL6708MW's compact design lets users to install it within a 1U system rack, while providing additional ports for a second, external KVM console (keyboard, mouse, speakers and DVI monitor) from its rear panel.

Setup is fast and easy — plugging cables into their appropriate ports is all that is needed. The switch supports DVI and USB connection interfaces for the external console and managed computers, with no configurations needed. Switching between computers is easily accomplished by pressing front panel pushbuttons, entering hotkeys or via a menu-driven on-screen display (OSD).

The CL6708MW incorporates the YUV video format for greater compatibility with high-definition signals from source devices. Similarly, the CL6708MW is HDCP-compatible, making it effective for use with content-protected media in corporate, educational and commercial settings. To further enhance usability, ATEN's LED illumination light brightens the keyboard and touchpad for easy viewing in low-light conditions.

Features

- ◆ Integrated KVM switch with a 17.3" Widescreen DVI Full HD LCD monitor
- ◆ Single rail housing with top and bottom clearance for smooth operation in a 1U high system rack
- ◆ Controls eight Single Link DVI computers
- ◆ Supports an external console with DVI video port
- ◆ Exclusive LED illumination light — to illuminate the keyboard and touchpad for operation under low-light conditions
- ◆ KVM Port extendable via one-level cascade (CS1768)
- ◆ Computer selection via front panel pushbuttons, hotkeys, and multilingual on-screen display (OSD)
- ◆ Broadcast mode — allows you to send commands from the console to all computers to perform the same operations simultaneously
- ◆ Supports YUV video format for greater compatibility
- ◆ DVI monitor support — fully compliant with the DVI specifications
- ◆ Video DynaSync™ — exclusive ATEN technology eliminates boot-up display problems and optimizes responsiveness when switching between ports*
- ◆ HDCP-compatible
- ◆ Superior video quality – 1920 x 1080 @ 60 Hz; DDC, DDC2, DDC2B
- ◆ Compatible with most ATEN DVI KVM switches
- ◆ Adjustable depth to fit within the rack
- ◆ Audio support for connecting to speakers
- ◆ Auto Scan Mode for automated alternating between selected computers for convenient monitoring
- ◆ Multiplatform support — Windows, Linux, Mac, Sun
- ◆ Console lock — enables the console drawer to remain securely locked away in position when not in use
- ◆ DDC emulation — video settings of attached computers are automatically adjusted for optimal output to the monitor

- ◆ Console mouse port emulation/bypass feature supports most mouse drivers
- ◆ Optional rack mount kits available, including easy installation options
- ◆ Firmware upgradable
- ◆ Mac/Sun keyboard support and emulation*
- ◆ Multilingual OSD supports English, German, Japanese, Traditional Chinese and Simplified Chinese
- ◆ Standard 105-key keyboard; Sun keyboard emulation
- ◆ Keyboard Language support: English (US); English (UK); German; German (Swiss); French; Spanish; Traditional Chinese; Japanese; Korean; Swedish; Italian; Russian; Hungarian and Greek

Note: 1. Video DynaSync™ only works in conjunction with digital video sources.

2. PC keyboard combinations emulate Mac/Sun keyboards; Mac/Sun keyboard work only with their own computers

Requirements

External Console

The following hardware components are required for the external console:

- ◆ A DVI-I monitor capable of displaying the highest resolution provided by any computer in the installation.
- ◆ A USB keyboard and mouse.

Computers

The following equipment must be installed on each computer:

- ◆ A DVI-I video graphics card.

Note: The integrated 17.3" LCD monitor's maximum resolution is 1920 x 1080 @ 60 Hz. Make sure that none of the computer resolution settings exceed the LCD monitor's maximum resolution.

- ◆ At least one USB port.
- ◆ Direct support Sun USB systems; or, for Sun legacy systems, an ATEN CV130A Sun Console Converter.

Cables

Substandard cables may damage the connected devices or affect the overall performance of the installation. For optimum signal integrity and simplified layout, we strongly recommend that you use the high-quality cables described below:

Function	Length	Part Number*
USB DVI-D Single Link KVM cable	1.8 m	2L-7D02U
	3.0 m	2L-7D03U
	5.0 m	2L-7D05U

* Contact your KVM dealer for ordering information.

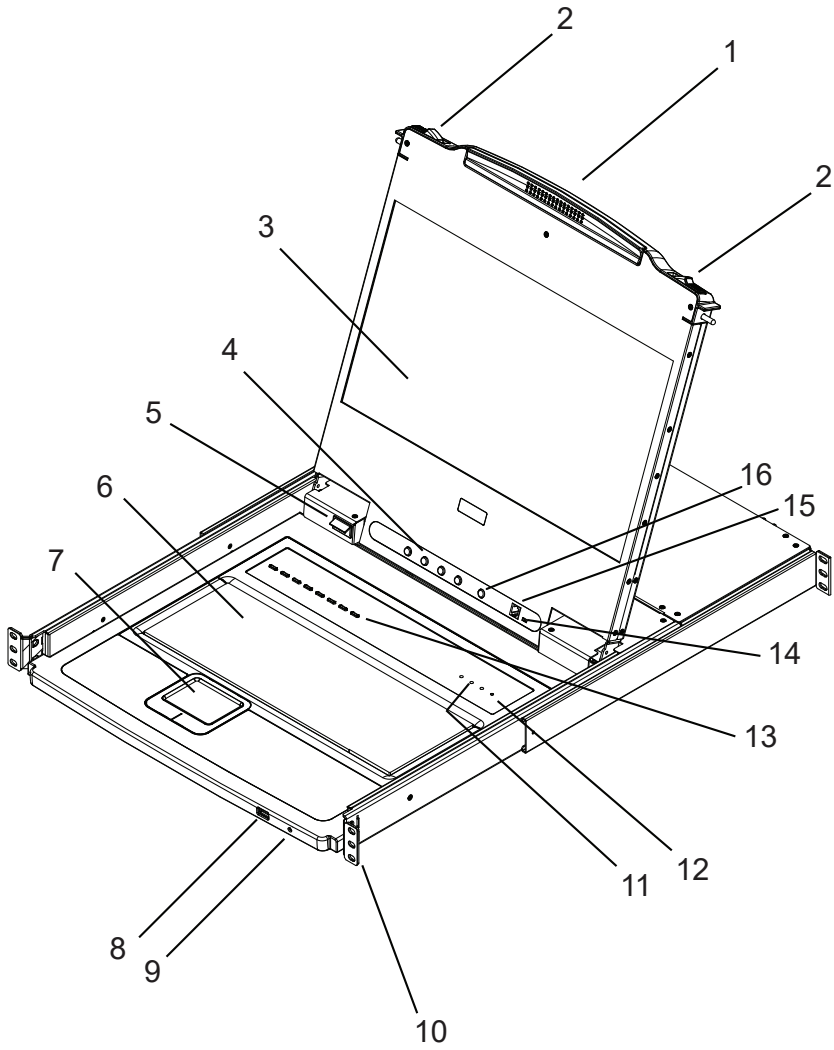
Operating Systems

Supported operating systems are shown in the table below:

OS		Version
Windows		2000 or above
Linux	RedHat	9.0 or later
	SuSE	10 or later
	Debian	3.1 or later
	Ubuntu	7.04 or later
UNIX	AIX	4.3 or later
	FreeBSD	5.5 or later
	Sun	Solaris 8 or later
Novell	Netware	5.0 or later
Mac		OS 9 or later

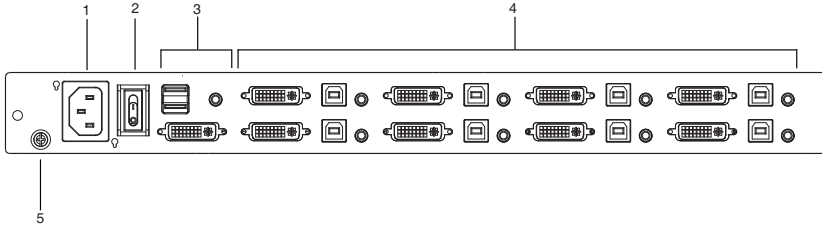
Components

Front View



No.	Component	Description
1	upper handle	Pull to slide the LCD module out; push to slide it in. See <i>Opening the Console</i> , page 19, for details on sliding the console in and out.
2	module release catches	In order to slide the console out, you must first release it by sliding these catches to the inside.
3	LCD module	After sliding the LCD module out, flip up the cover to access the LCD display.
4	LCD controls	The buttons to control the position and picture settings of the LCD display are located here. See page 23 for details.
5	LED illumination light	Illuminates the keyboard and touchpad to allow visibility in low-light conditions. Press the exit / light pushbutton to turn the LED light on / off (default: on).
6	keyboard module	Standard 105-key keyboard.
7	touchpad	Standard mouse touchpad.
8	USB port	The USB port is available to connect a USB peripheral device (flash drive, CD-ROM drive, etc.) to the console, or a USB mouse for users who prefer to use an external mouse.
9	power LED	Lights (green) to indicate that the unit is receiving power.
10	rack mount brackets	The rack mount brackets are located at each corner of the unit. See <i>Standard Rack Mount</i> , page 10, for details.
11	lock LEDs	The Num Lock, Caps Lock, Scroll Lock LEDs are located here.
12	reset button	Located to the right of the Lock LEDs. Press this button in with a thin object to perform a system reset.
13	port LEDs / port switches	An orange online LED lights to indicate that the computer attached to its corresponding port is up and running. A green selected LED lights to indicate that the computer attached to the corresponding port is selected for KVM control. Press the port pushbuttons to bring the KVM focus to the computer attached to the corresponding port.
14	firmware upgrade switch	During normal operation and while performing a firmware upgrade, this switch should be in the normal position. If a firmware upgrade operation does not complete successfully, switch to Recovery to recover the situation. See <i>Upgrade Failed</i> , page 58, for details.
15	firmware upgrade port	The firmware upgrade cable that transfers the firmware upgrade data from the administrator's computer plugs into this RJ-11 connector.
16	LCD on / off button	Push this button to turn the LCD monitor on and off. The button lights when the LCD monitor is off. Note: The light indicates that only the monitor is off, not the attached KVM switch.

Rear View



No.	Component	Description
1	power socket	This is a standard 3 prong AC power socket. The power cord from an AC source plugs in here.
2	power switch	This is a standard rocker switch that powers the CL6708MW on and off.
3	external console section	For flexibility and convenience, the CL6708MW supports an independent, external, KVM console. The external console's USB keyboard and mouse, DVI, VGA, or HDMI monitor, and audio cables plug in here.
4	KVM port section	The custom KVM cable supplied with the package for linking the CL6708MW to a computer or switch plugs in here.
5	grounding terminal	The grounding wire (used to ground the unit) attaches here.

Chapter 2

Hardware Setup

Overview

The CL6708MW is a switch designed to work with USB interfaces. It utilizes custom KVM cables that serve as the medium between the switch and managed computers. A custom KVM cable is required for each computer. Custom cables of various lengths are listed on page 4. Consult your dealer to find out which custom KVM cables best fit your needs.

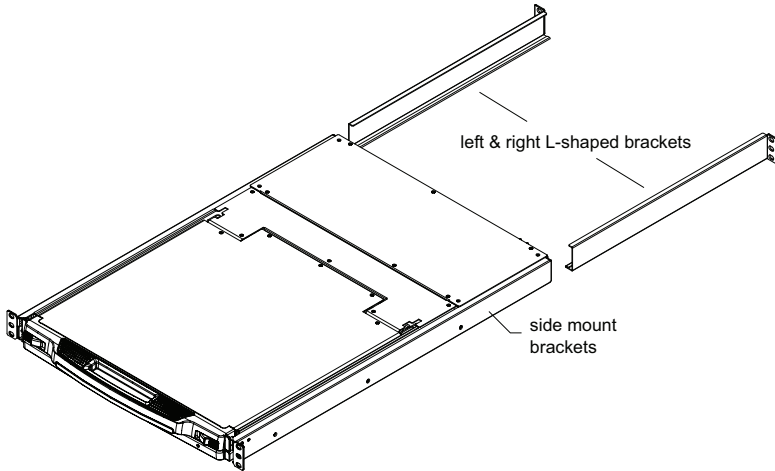
Before You Begin



1. Important safety information regarding the placement of this device is provided on page 59. Please review it before proceeding.
2. Make sure the power of all devices to be connected has been turned off. You must unplug the power cords of any computers with Keyboard Power-On function.
3. Please operate the device with caution when under high environmental temperatures, as the surface of the device may become overheated under such conditions. For instance, the surface temperature of the device may reach 70 °C (158 °F) or higher when the environmental temperature reaches close to 50 °C (122 °F).

Standard Rack Mount

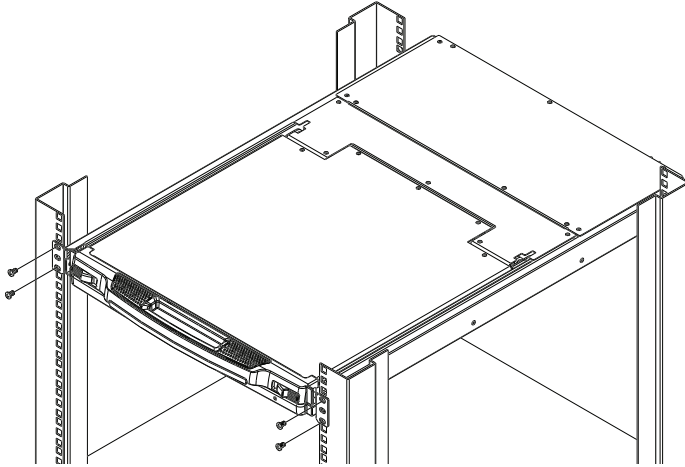
A standard rack mount kit is provided with your CL6708MW and enables you to mount the switch within a 1U rack space. The installation procedures are described in the following sections. Below is an image of the parts included with your package that will be needed for rack installation.



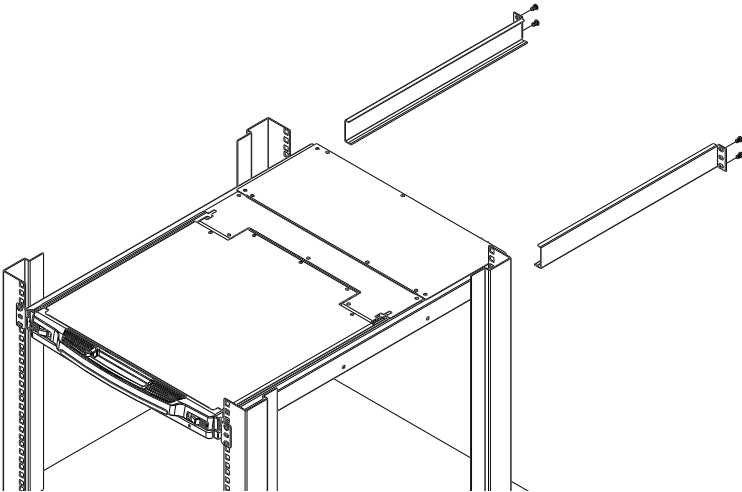
-
- Note:**
- ◆ It takes two people to mount the console.
 - ◆ The standard rack mount kit does not include screws or cage nuts. If you need additional screws or cage nuts, contact your rack dealer.
-

To rack mount the CL6708MW, do the following:

1. Have one person position the unit onto the rack and hold it steady. Have a second person screw the front brackets to the rack.



2. While the first person still holds the unit in place, the second person slides the left & right L-shaped brackets into the unit's side mounting brackets from the rear, installing four screws in the brackets to secure them in place.



3. After the L-shaped brackets are secured, tighten all the screws.
Allow at least 5.1 cm of clearance on each side for proper ventilation, and at least 12.7 cm at the back for the power cord and cables.

Optional Rack Mount Kits

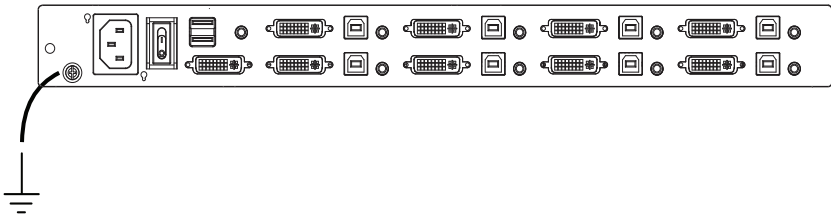
For convenience and flexibility, optional rack mount kits are available and are listed in the table below:

Mounting Kit	Description
Standard Long Rack Mount Kit	This kit is the long-railed version of your standard rack mount kit that lets you fit your device to racks with greater depth.
Easy Installation Rack Mount Kit	This kit is designed to install the switch without requiring more than one person

- Note:**
- ◆ For more information, visit the product webpage and refer to the *Compatible Accessories*.
 - ◆ For detailed installation steps, visit the product webpage and refer to the *Optional Rack Mount Kits Installation Guide*.

Grounding

To prevent damage to your installation it is important that all devices are properly grounded. Use a grounding wire to ground the CL6708MW by connecting one end of the wire to the grounding terminal, and the other end of the wire to a suitable grounded object.



Single-Level Installation

In a single-level installation, there are no additional switches cascaded from the first unit. The numbers in the diagram on page 14 correspond to the numbered steps below (see page 15 for step 2). To set up a single-level installation do the following:

1. Ground the CL6708MW by connecting one end of a grounding wire to the grounding terminal, and the other end of the wire to a suitable grounded object.

Note: Do not omit this step. Proper grounding helps to prevent damage to the unit from surges or static electricity.

2. If you choose to connect an external console to the CL6708MW, connect the keyboard, monitor and mouse to their respective ports in the external console section. See *Console Cable Installation*, page 15.

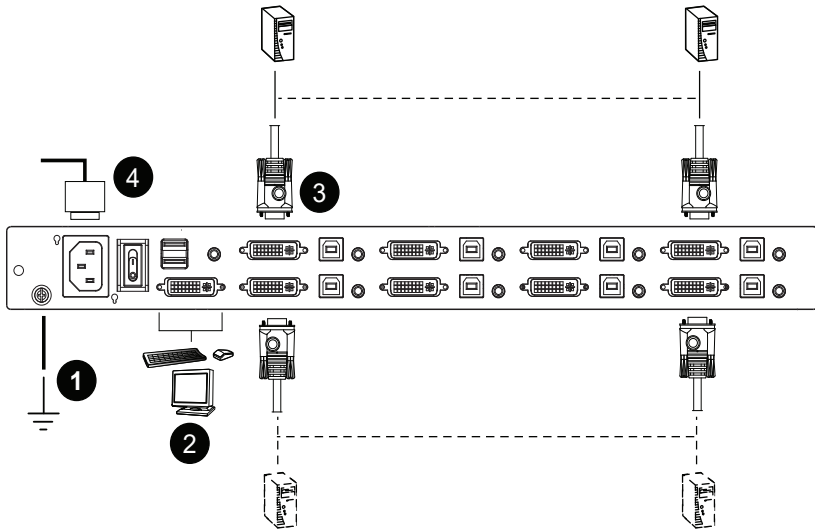
Note: 1. Connecting an external console is optional.

2. The CL6708MW only supports USB keyboards and mice.
-

3. For each of the computers you are installing, use a KVM cable set (listed in *Cables*, page 4) to connect any available KVM port to a computer's keyboard, video and mouse ports. See *Cabling Diagrams*, page 15.
4. Plug the power cord into the CL6708MW power socket and into a AC power source.

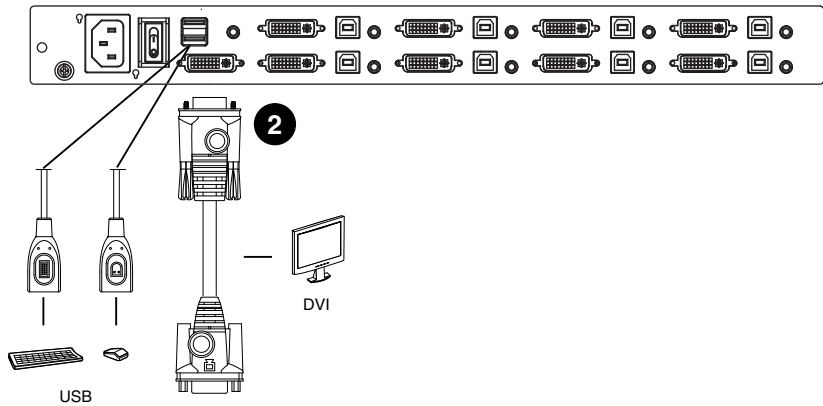
After you have completed the installation procedures, power on the CL6708MW (see *Powering Off and Restarting*, page 22, for details). Once the CL6708MW is powered on, power on the computers in the installation.

Single-Level Installation Diagram



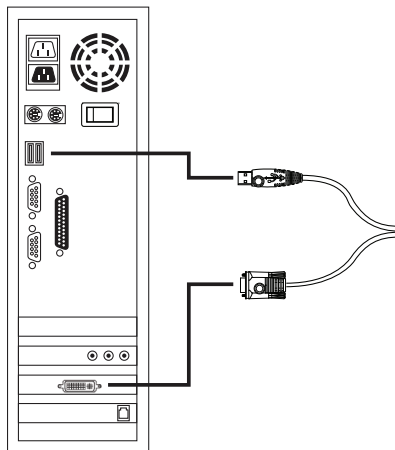
Cabling Diagrams

Console Cable Installation



KVM Cable Installation

USB KVM Cable Connection



Multi-Level Installation

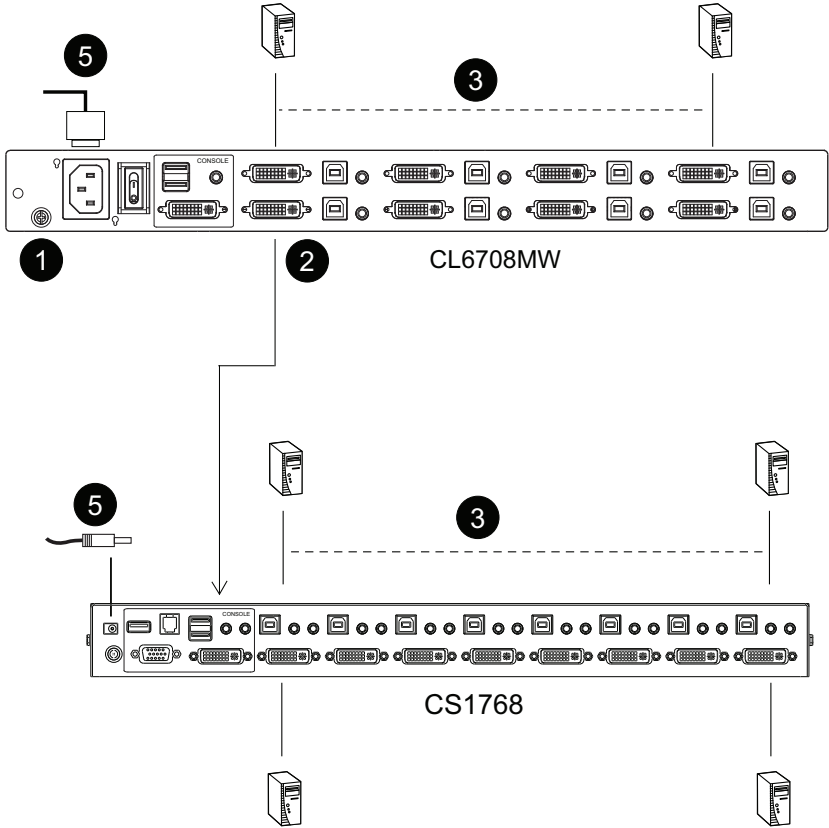
To control even more computers, up to 8 additional switches can be cascaded from the first CL6708MW (see *Supported KVM Switches*, page 69). As many as 64 computers can be controlled from a single console in a complete cascade installation. Tables showing the relation between the number of computers and the number of switches needed to control them are provided on page 69 in the Appendix.

To set up a multi-level installation, do the following:

1. Ground the CL6708MW (first unit) and make sure that power has been turned off to all the computers you will be connecting up.
2. Using a KVM cable, connect any available KVM Port on the first level switch to the console port on the second level unit*.
3. Use custom DVI KVM cable sets (described in the *Cables* section, page 4) to connect any available KVM port on the either of the two switches to the keyboard, video and mouse ports of the computers you are installing.
4. Repeat the steps above to cascade additional switches to the installation.
5. The Power On sequence requires that all Second Stage units be powered on first. After the second stage units are on, power on the First Stage unit. After the Second and First stage units have been powered on, the computers can be powered on.

* The CL6708MW can only be installed as the first switch in a two-level installation as its LCD, keyboard and mouse are used as the console and all second level switches require an external console port to be cascaded.

Two-Level Installation Diagram



This Page Intentionally Left Blank

Chapter 3

Basic Operation

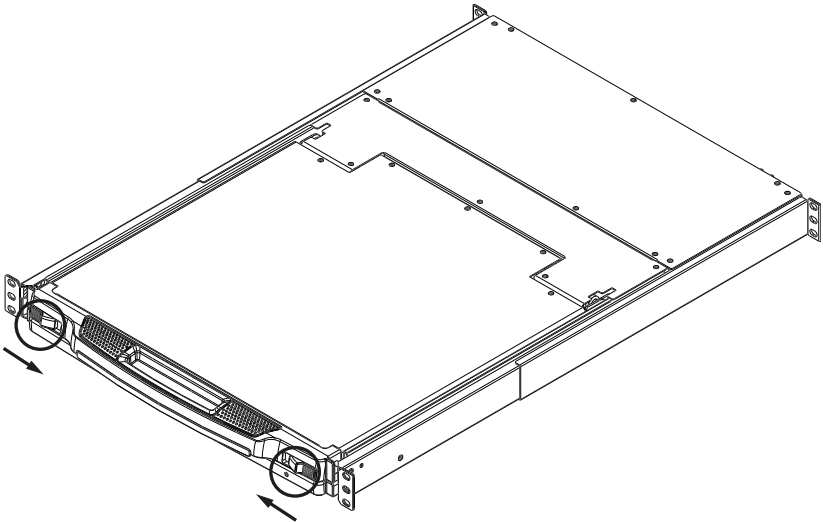
Opening the Console

The CL6708MW's console is located under the top cover. To access the console, slide the console module out and raise the cover.

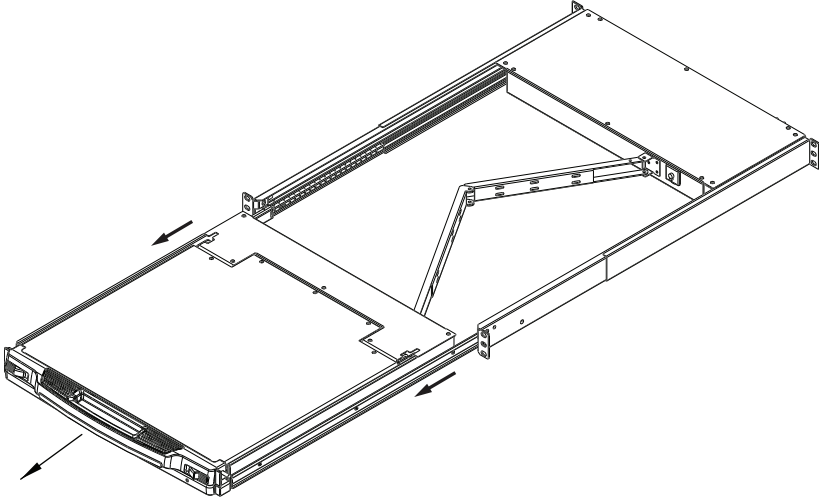
Note: As a safety precaution, to keep the console from accidentally sliding out, the console is locked into the *In* position. Before you can pull the console module out, you must release it by pushing the catches on the unit's front panel toward the center of the switch.

To slide the console module out, do the following:

1. Push the catches inward.



- Slide the module all the way out until it automatically locks in place.

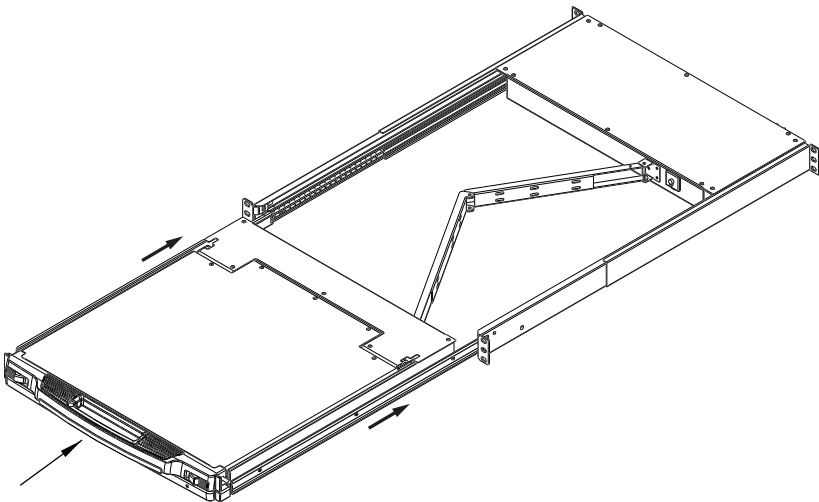


- Open the cover.

Closing the Console

To slide the console module back in, do the following:

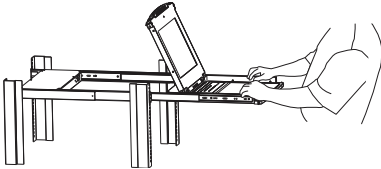
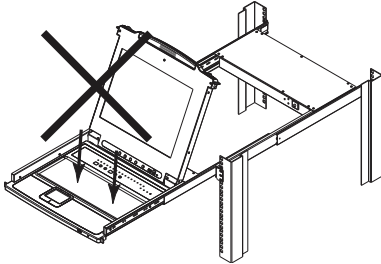
- Close the cover.
- Push the module all the way in until it automatically locks in place.



Operating Precautions



The maximum load bearing capacity of the keyboard module is 20 kg. Failure to heed the information below can result in damage to the keyboard module.

	<p>Right!</p> <p>Rest your hands and arms lightly on the keyboard module as you work.</p>
	<p>Wrong!</p> <ul style="list-style-type: none">◆ DO NOT lean your body weight on the keyboard module.◆ DO NOT place heavy objects on the keyboard module.

Powering Off and Restarting

If it becomes necessary to power off the CL6708MW, do the following before restarting it:

1. Shut down all the computers that are attached to the CL6708MW.

Note: Unplug the power cords of any computers that have the *Keyboard Power On* function. Otherwise, the CL6708MW will still receive power from the computers.



2. Unplug the CL6708MW from its power source.
3. Wait 10 seconds, then plug the CL6708MW back in.
4. After the CL6708MW has started and ascertained its station ID, power on the computers.

Note: If you have shut down more than one station, power up the highest station first and work your way down to the lowest one.

LCD OSD Configuration

The LCD Buttons

The LCD OSD allows you to set up and configure the LCD display. Four buttons are used to perform the configuration, as described in the table, below:

Button	Function
MENU	<ul style="list-style-type: none"> ◆ When you have not entered the LCD OSD Menu function, pressing this button invokes the Menu function, and brings up the Main Menu. ◆ When you have entered the LCD OSD Menu function, and have reached a setting choice with the navigation buttons, pressing this button brings up its adjustment screen.
	When navigating through the menus, this button moves you Right or Up. When making an adjustment, it increases the value.
	When navigating through the menus, this button moves you Left or Down. When making an adjustment, it decreases the value.
EXIT/LIGHT	<ul style="list-style-type: none"> ◆ When you have not entered the LCD OSD Menu function, pressing this button performs an auto adjustment. An auto adjustment automatically configures all the settings for the LCD panel to what the OSD considers their optimum values to be. ◆ When you have entered the LCD OSD Menu function, pressing this button exits the current menu and returns you to the previous menu. Use it to leave an adjustment menu when you are satisfied with the adjustment you made. ◆ When you are at the Main Menu, pressing this button exits the LCD OSD. ◆ Pressing this button for two seconds turns the LED light ON or OFF. (Default: ON)

LCD Adjustment Settings

An explanation of the LCD OSD adjustment settings is given in the table below:

Setting	Explanation
Brightness	Adjusts the background black level of the screen image.
Contrast	Adjusts the foreground white level of the screen image.
Phase	If pixel jitter or horizontal line noise is visible on the display, your LCD may have the wrong phase setting. Adjust the phase setting to eliminate these problems.
Clock	If vertical banding is visible on the display, your LCD may have the wrong clock setting. Adjust the clock setting to eliminate vertical banding.
H-Position	Positions the display area on the LCD panel horizontally (moves the display area left or right).
V-Position	Positions the display area on the LCD panel vertically (moves the display area up or down).
Color Temperature	Adjusts the color quality of the display. You can adjust the warmth value, color balance, etc. The <i>Adjust Color</i> selection has a further submenu that lets you fine tune the RGB values.
Language	Selects the language that the OSD displays its menus in.
OSD Duration	Lets you set the amount of time the OSD displays on the screen. If there is no input for the amount of time you choose, the OSD display turns off.
Reset	Resets the adjustments on all menus and submenus to their factory default settings.

Note: As an alternative to manually adjusting the LCD settings, you can have the LCD auto-adjusted for optimum display by pressing the Exit button. See *EXIT/LIGHT*, page 23

Hot Plugging

The CL6708MW supports *hot plugging* – components can be removed and added back into the installation by unplugging their cables from the ports without the need to shut the unit down. In order for hot plugging to work properly, the procedures described below must be followed:

Hot Plugging KVM Ports

In order for the OSD menus to correspond to KVM port changes, you must manually reconfigure the OSD to reflect the new port information. See the *F3 SET* (page 31) and *F4 ADM* (page 33), functions for details.

Note: If the computer's operating system does not support hot plugging, this function may not work properly.

Port Selection

The CL6708MW provides three port selection methods to access the computers on the installation: Manual, OSD (on-screen display), and Hotkeys. See Chapter 4, *OSD Operation* and Chapter 5, *Keyboard Port Operation* for more information.

Manual Port Switching

Use the Port LED/Port Pushbuttons located on the keyboard module to switch KVM focus to any port on the installation.

Port ID Numbering

Each port on a CL6708MW installation is assigned a unique *Port ID*. You can directly access any computer on any level of the installation by specifying the Port ID that the computer is connected to – either with the OSD (see *OSD Operation*, page 27), or with the Hotkey port selection method (see *Keyboard Port Operation*, page 39).

- ◆ A computer attached to the first unit has a two digit Port ID that corresponds to the KVM port number that it is connected to.
- ◆ A computer attached to a cascaded unit has a four digit Port ID.

The first two digits represent the KVM port number on the first unit and the second two digits represent the KVM port number on the cascaded unit that the computer is connected to. For example, a Port ID of 02–08 would refer to a computer that is connected to KVM port 08 of a cascaded unit that links back to KVM port 2 of the first unit.

Chapter 4

OSD Operation

OSD Overview

The on-screen display (OSD) is a mouse and keyboard enabled, menu-driven method to handle computer control and switching operations. All procedures start from the OSD main screen.

OSD Login

The OSD incorporates a two-level (administrator / user) password system. Before the OSD main screen displays, a login screen appears requiring a password. If this is the first time that the OSD is used, or if the password function has not been set, simply press **[Enter] [Enter]**. The OSD main screen is displayed in administrator mode, with access to all functions, and can set up operations (including login credentials) as you like.

Dedicated Invocation Key

A dedicated keys is provided on the keyboard module to make it easy to invoke the OSD (as shown in the diagram below):



Note: Press once to invoke the feature, press again to exit.

OSD Hotkey

The OSD hotkey is enabled and set to *[Scroll Lock] [Scroll Lock]* by default. Using the OSD hotkey, users can display the OSD on the console monitor while also viewing the display of any port on the CL6708MW.

Note: To adjust the OSD Hotkey, see *OSD HOTKEY*, page 31.

OSD Main Screen

When you invoke the OSD, a screen similar to the one below appears:


```

F1:GOTO F3:SET F5:SKP F7:SCAN
F2:LIST F4:ADM F6:BRC F8:LOUT
ADMINISTRATOR
LIST:ALL
  PN   QV  NAME
 01
 02
 03
 04
 05
 06
 07
 08

```

- Note:**
1. The diagram depicts the administrator's main screen. The user main screen does not show the **F4** and **F6** functions, since these are reserved for the administrator and can't be accessed by users.
 2. The OSD always starts in list view, with the highlight bar at the same position it was in the last time it was closed.
 3. Only the ports that have been set accessible by the administrator for the current logged in user are visible (see *SET ACCESSIBLE PORTS*, page 33, for details).
 4. If the port list is collapsed, click on a switch number, or move the highlight bar to it then press the right arrow key to expand the list. Similarly, to collapse a switch's port list, click on the switch number, or move the highlight bar to it then press the left arrow key to collapse the list.

OSD Main Screen Headings

PN	This column lists the port ID numbers for all the KVM ports on the installation. The simplest method to access a particular computer is move the highlight bar to it, then press Enter .
QV	If a port has selected for quick view scanning (see <i>Set Quick View Ports</i> , page 35), an arrowhead displays in this column.
	The computers that are powered on and are online have a sun symbol in this column.
NAME	If a port has been given a name (see <i>EDIT PORT NAMES</i> , page 34), its name appears in this column.

OSD Navigation

- ◆ To dismiss the menu, and deactivate OSD, click the **X** at the upper right corner of the OSD window; or press **[Esc]**.
- ◆ To log out, click **F8** at the top of the main screen, or press **[F8]**.
- ◆ To move up or down through the list one line at a time, click the up and down triangle symbols (**▲▼**) or use the up and down arrow keys. If there are more list entries than what can appear on the main screen, the screen will scroll.
- ◆ To move up or down through the list one screen at a time, click the up and down arrow symbols (**↑↓**), or use the **[Pg Up]** and **[Pg Dn]** keys. If there are more list entries than what can appear on the main screen, the screen will scroll.
- ◆ To activate a port, double-click it, or move the highlight bar to it then press **[Enter]**.
- ◆ After executing any action, you automatically go back to the menu one level above.

OSD Functions

OSD functions are used to configure and control the OSD. For example, you can rapidly switch to any port, scan selected ports, limit the list you wish to view, designate a port as a quick view port, create or edit a port name, or make OSD setting adjustments.

To access an OSD function:

1. Either click a function key field at the top of the main screen, or press a function key on the keyboard.
2. In the submenus that appear make your choice either by double-clicking it, or moving the highlight bar to it, then pressing **[Enter]**.
3. Press **[Esc]** to return to the previous menu level.

F1: GOTO

Clicking the **F1** field or pressing **[F1]** activates the GOTO function. GOTO allows you to switch directly to a port either by keying in the port's *Name*, or its *Port ID*.

- ◆ To use the name method, key in **1**; key in the port's *Name*; then press **[Enter]**.
- ◆ To use the port ID method, key in **2**; key in the *Port ID*; then press **[Enter]**.

Note: You can key in a partial name or port ID. In that case, the screen will show all the computers that the user has *View* rights to (see *SET ACCESSIBLE PORTS*, page 33), that match the name or port ID pattern, regardless of the current list settings (see *F2 LIST*, page 30, for details).

To return to the OSD main screen without making a choice, press **[Esc]**.

F2: LIST

This function lets you broaden or narrow the scope of which ports the OSD displays on the main screen. The submenu choices and their meanings are given in the table below.

Choice	Meaning
ALL	Lists all of the ports on the installation that have been set accessible by the administrator for the current logged in user.
QUICK VIEW	Lists only the ports that have been selected as quick view ports (see <i>SET QUICK VIEW PORTS</i> , page 35).
POWERED ON	Lists only the ports that have their attached computers powered on.
QUICK VIEW + POWERED ON	Lists only the ports that have been selected as quick view ports (see <i>SET QUICK VIEW PORTS</i> , page 35), and that have their attached computers powered on.

Move the highlight bar to the choice you want, then press **[Enter]**. An icon appears before the choice to indicate that it is the currently selected one.

F3: SET

This function allows the administrator and each user to set up his own working environment. A separate profile for each is stored by the OSD and is activated according to the username that was provided during login.

To change a setting:

1. Double-click it; or move the highlight bar to it, then press **[Enter]**.
2. After you select an item, a submenu with further choices appears. To make a selection, either double-click it; or move the highlight bar to it, then press **[Enter]**. An icon appears before the selected choice to indicate which one it is. The settings are explained in the following table:

Setting	Function
OSD HOTKEY	Selects to disable or which hotkey activates the OSD function: OFF, [Scroll Lock] [Scroll Lock] or [Ctrl] [Ctrl]. Note: By default, this function is set to <i>[Scroll Lock] [Scroll Lock]</i> .
PORT ID DISPLAY POSITION	Allows each user to customize the position where the port ID appears on the screen. The default is the upper left corner, but users can choose to have it appear anywhere on the screen. Use the mouse or the arrow keys plus Pg Up, Pg Dn, Home, End, and 5 (on the numeric keypad with Num Lock off), to position the port ID display, then double-click or press [Enter] to lock the position and return to the Set submenu.
PORT ID DISPLAY DURATION	Determines how long a port ID displays on the monitor after a port change has taken place. The choices are: 3 Seconds (default) and Always Off .
PORT ID DISPLAY MODE	Selects how the port ID is displayed: the port number plus the port name (PORT NUMBER + PORT NAME) (default); the port number alone (PORT NUMBER); or the port name alone (PORT NAME).
SCAN DURATION	Determines how long the focus dwells on each port as it cycles through the selected ports in Auto Scan mode (see <i>F7: SCAN</i> , page 37). Key in a value from 1–255 seconds, then press [Enter] . Default is 5 seconds; a setting of 0 disables the SCAN function.

(Continues on next page.)

(Continued from previous page.)

Setting	Function
SCAN-SKIP MODE	<p>Selects which computers will be accessed under skip mode (see <i>F5: SKP</i>, page 36), and Auto Scan mode (see <i>F7: SCAN</i>, page 37). Choices are:</p> <p>ALL - All the ports which have been set accessible (see <i>SET ACCESSIBLE PORTS</i>, page 33);</p> <p>QUICK VIEW - Only those ports which have been set accessible and have been selected as quick view ports (see <i>SET QUICK VIEW PORTS</i>, page 35);</p> <p>POWERED ON - Only those ports which have been set accessible and are powered on;</p> <p>QUICK VIEW + POWERED ON - Only those ports which have been set accessible and have been selected as quick view ports and are powered on. The default is ALL.</p> <p>Note: The quick view choices only show up on the administrator's screen, since only he has <i>Quick View</i> setting rights (see <i>SET QUICK VIEW PORTS</i>, page 35, for details).</p>
SCREEN BLANKER	<p>If there is no input from the console for the amount of time set with this function, the screen is blanked. Key in a value from 1–30 minutes, then press [Enter]. The default setting of 0 disables this function.</p>
HOTKEY COMMAND MODE	<p>Enables / disables the hotkey command function in case a conflict with programs running on the computers occurs.</p>
HOTKEY	<p>Sets the keyboard shortcut for invoking <i>Hotkey Mode</i> (see page 39). Choices are: NUM LOCK + - (minus) (default), and CTRL + F12.</p>
OSD LANGUAGE	<p>Sets the language used in the OSD. Choices are: English (default), German, Japanese, Simplified Chinese and Traditional Chinese.</p>

F4: ADM

F4 is an administrator only function. It allows the administrator to configure and control the overall operation of the OSD. To change a setting double-click it, or use the up and down arrow keys to move the highlight bar to it then press **[Enter]**.

After you select an item, a submenu with further choices to select from appears. Double-click an item, or move the highlight bar to it then press **[Enter]**. An icon appears before the selected item so that you know which one it is. The settings are explained in the following table:

Setting	Function
SET USER LOGIN	<p>This function is used to set usernames and passwords for the administrator and users:</p> <ol style="list-style-type: none"> 1. Usernames and passwords for one administrator and four users can be set. 2. After you select the administrator field or one of the user fields, a screen that allows you to key in the username and password appears. Usernames and passwords can be from 1 to 16 characters long and can consist of any combination of letters and numbers (A–Z, 0–9) and some additional keys (* () + : - , ? . / space). 3. For each individual, key in the username and password, confirm the password, then press [Enter]. 4. To modify or delete a previous username and/or password, use the backspace key to erase individual letters or numbers. Press [Enter] when done. <p>Note: Usernames and passwords are not case sensitive. Usernames are displayed in capital letters in the OSD.</p>
SET ACCESSIBLE PORTS	<p>This function allows the administrator to define user access to the computers on the installation on a port-by-port basis.</p> <p>For each user, select the target port; then press the [Spacebar] to cycle through the choices: F (full access), V (view only), or blank. Repeat until all access rights have been set, then press [Enter]. The default is F for all users on all ports.</p> <p>Note:</p> <ul style="list-style-type: none"> ◆ A blank setting means that no access rights are granted. The port will not show up on the user's LIST on the main screen. ◆ The administrator always has full access to all ports.

(Continues on next page.)

(Continued from previous page.)

Setting	Function
SET LOGOUT TIMEOUT	<p>If there is no input from the console for the amount of time set with this function, the user is automatically logged out. A login is necessary before the console can be used again.</p> <p>This enables other users to gain access to the computers when the original user is no longer accessing them, but has forgotten to log out. To set the timeout value, key in a number from 1–180 minutes, then press [Enter]. The default setting of 0 disables this function.</p> <p>Note: This feature does not function if Set Login Mode is disabled. See <i>SET LOGIN MODE</i>, page 35.</p>
EDIT PORT NAMES	<p>To help remember which computer is attached to a particular port, every port can be given a name. This function allows the administrator to create, modify, or delete port names.</p> <p>To edit a port name:</p> <ol style="list-style-type: none"> 1. Click the port, or use the navigation keys to move the highlight bar to it, then press [Enter]. 2. Key in the new port name, or modify/delete the old one. The maximum number of characters allowed for the port name is 12. Legal characters include: <ul style="list-style-type: none"> ◆ All alpha characters: A–Z ◆ All numeric characters: 0–9 ◆ * () + : - , ? . / and Space <p>Case does not matter; the OSD displays the port name in all capitals no matter how they were keyed in.</p> 3. When you have finished editing, press [Enter] to have the change take effect. To abort the change, press [Esc].
RESTORE DEFAULT VALUES	<p>This function is used to undo all changes and return the setup to the original factory default settings (see <i>OSD Factory Default Settings</i>, page 71) except for the port name list, username and password information, which are saved.</p>
CLEAR THE NAME LIST	<p>This function clears the port name list.</p>
ACTIVATE BEEPER	<p>Choices are Y (on), or N (off). When activated, the beeper sounds whenever a port is changed; when activating the Auto Scan function (see <i>F7: SCAN</i>, page 37); or an invalid entry is made on an OSD menu. The default is Y.</p>

(Continues on next page.)

(Continued from previous page.)

Setting	Function
SET QUICK VIEW PORTS	<p>This function lets the administrator select which ports to include as quick view ports.</p> <ul style="list-style-type: none"> ◆ To select/deselect a port as a quick view port, double-click the port, or use the navigation keys to move the highlight bar to it, then press [Spacebar]. ◆ When a port has been selected as a quick view port, an icon displays in the QV column of the LIST on the main screen. When a port is deselected, the icon disappears. ◆ If one of the quick view options is chosen for the LIST view (see <i>F2 LIST</i>, page 30), only a port that has been selected here will display on the list. ◆ If one of the quick view options is chosen for auto-scanning (see <i>SCAN-SKIP MODE</i>, page 32), only a port that has been selected here will be auto-scanned. <p>The default has no ports selected for quick view.</p>
SET OPERATING SYSTEM	<p>This function allows the administrator to define the operating system for the computer connected to each KVM port. The default is WIN (PC compatible).</p> <p>To set the port operating system:</p> <ol style="list-style-type: none"> 1. From the list, select the port for which you wish to set the computer's operating system. 2. Set the operating system by pressing [Spacebar] to cycle through WIN, MAC, SUN, or OTHER. 3. Press [Esc] to exit. The operating system you selected is assigned to the KVM port.
FIRMWARE UPGRADE	<p>In order to upgrade the CL6708MW firmware (see page 53), you must first enable Firmware Upgrade mode with this setting.</p> <p>When you bring up this menu, the current firmware version and manufacturing number are displayed. Select Y to enable Firmware Upgrade mode, or N to leave this menu without enabling it.</p> <p>Note: For information on manufacturing number, refer to page 66.</p>
SET KEYBOARD LANGUAGE	<p>Sets the language for the computer keyboard attached to the KVM port. To select a keyboard language, double-click it, or use the navigation keys to move the highlight bar to it, then press [Enter].</p> <p>Choices are: AUTO (default), ENGLISH (UK), ENGLISH (US), FRENCH, GERMAN (GER.), GERMAN (SWISS), GREEK, HUNGARIAN, ITALIAN, JAPANESE, KOREAN, RUSSIAN, SPANISH, SWEDISH, and TRADITIONAL CHINESE.</p>
SET LOGIN MODE	<p>This function allows the administrator to request users to login or not. When the login dialog box is disabled, the system disables the login/logout function. If the system is re-started, the login/logout function remains disabled.</p>

Setting	Function
SET COMPUTER VIDEO INPUT	Sets the video signal for each KVM port for the computers attached to the CL6708MW. Options are: ◆ DVI-A ◆ DVI-D

F5: SKP

Clicking the **F5** field or pressing **[F5]** invokes Skip (SKP) mode. This function enables you to easily skip backward or forward – switching the console focus from the currently active computer port to the previous or next available one.

- ◆ The selection of computers to be available for skip mode switching is made with the *Scan-Skip* mode setting under the **F3: SET** function (see page 31).
- ◆ When you are in skip mode:
press [←] to switch to the previous computer in the list
press [→] to switch to the next computer in the list

Note: When you skip, you only skip to the previous or next available computer that is in the *Scan-Skip* mode selection (page 32).

- ◆ If a port has been selected for *Scan-Skip* mode, when the focus switches to that port a left/right triangle symbol appears before its port ID display.
- ◆ While skip mode is in effect, the console will not function normally. You must exit skip mode in order to regain control of the console.
- ◆ To exit skip mode, press **[Spacebar]** or **[Esc]**.

F6: BRC

F6 is an administrator only function. Clicking the **F6** field, or pressing **[F6]**, invokes *Broadcast* (BRC) mode. When this function is in effect, commands sent from the console are broadcast to all available computers on the installation.

This function is particularly useful for operations that need to be performed on multiple computers, such as performing a system wide shutdown, installing or upgrading software, etc.

- ◆ While BRC mode is in effect, a speaker symbol appears before the port ID display of the port that currently has the console focus.
- ◆ While BRC mode is in effect, the mouse will not function normally. You must exit BRC mode in order to regain control of the mouse.
- ◆ To exit BRC mode, invoke the OSD (with the OSD hotkey), then click the **F6** field, or press **[F6]**, to turn BRC mode off.

F7: SCAN

Clicking the **F7** field or pressing **[F7]** invokes *Auto Scan* mode. This function allows you to automatically switch among the available computers at regular intervals so that you can monitor their activity without having to take the trouble of switching yourself.

- ◆ The selection of computers to be included for auto-scanning is made with the *Scan-Skip* mode setting under the **F3: SET** function (see page 32).
- ◆ The amount of time that each port displays for is set with the *Scan Duration* setting under the **F3: SET** function (see page 31). When you want to stop at a particular location, press the [Spacebar] to stop scanning.
- ◆ If the scanning stops on an empty port, or one where the computer is attached but is powered Off, the monitor screen will be blank, and the mouse and keyboard will have no effect. After the *Scan Duration* time is up, the scan function will move on to the next port.
- ◆ As each computer is accessed, an **S** appears in front of the port ID display to indicate that it is being accessed under *Auto Scan* mode.
- ◆ While *Auto Scan* mode is in effect, the console will not function normally. You must exit *Auto Scan* mode in order to regain control of the console.
- ◆ While you are in *Auto Scan* mode, you can pause the scanning in order to keep the focus on a particular computer either by pressing **P**, or with a left-click of the mouse. See *Invoking Auto Scan*, page 41, for details.
- ◆ To exit *Auto Scan* mode, press the **[Spacebar]** or **[Esc]**.

F8: LOUT

Clicking the **F8** field, or pressing **[F8]** logs you out of OSD control of the computers, and blanks the console screen. This is different from simply pressing **[Esc]** when you are at the main screen to deactivate the OSD. With this function you must log in all over again to regain access to the OSD, whereas with **[Esc]**, all you have to do to reenter the OSD is tap the OSD hotkey.

-
- Note:**
1. When you reenter the OSD after logging out, the screen stays blank except for the OSD main screen. You must input your username and password before you can continue.
 2. If you reenter the OSD after logging out, and immediately use **[Esc]** to deactivate the OSD without having selected a port from the OSD menu, a null port message displays on the screen. The OSD hotkey will bring up the main OSD screen.
-

Chapter 5

Keyboard Port Operation

Hotkey Port Control

Hotkey port control allows you to provide KVM focus to a particular computer directly from the keyboard. The CL6708MW provides the following hotkey port control features:

- ◆ Selecting the Active Port
- ◆ Auto Scan Mode Switching
- ◆ Skip Mode Switching
- ◆ Computer Keyboard / Mouse Reset

The following settings can also be controlled in *Hotkey* mode:

- ◆ Setting the Beeper
- ◆ Setting the Quick Hotkey
- ◆ Setting the OSD Hotkey
- ◆ Setting the Port Operating System
- ◆ Restoring the OSD Default Values

Invoke Hotkey Mode

All hotkey operations begin by invoking *Hotkey* mode. There are two possible keystroke sequences used to invoke *Hotkey* mode, though only one can be operational at any given time:

Note: Make sure that the *Hotkey Command Mode* function is enabled and that you key in the appropriate *Hotkey*. See page 32 for details.

Dedicated Invocation Key

A dedicated key is provided on the keyboard module to make it easy to invoke the Hotkey Mode (as shown in the diagram below):



Note: Press once to invoke the feature; press again to exit.

Number Lock and Minus Keys

1. Hold down the **Num Lock** key;
2. Press and release the **minus** key;
3. Release the **Num Lock** key:

[Num Lock] + [-]

Control and F12 Keys

1. Hold down the **Ctrl** key;
2. Press and release the **F12** key;
3. Release the **Ctrl** key:

[Ctrl] + [F12]

When *Hotkey* mode is active:

- ♦ A command line appears on the monitor screen. The command line prompt is the word *Hotkey:* in white text on a blue background, and displays the subsequent hotkey information that you key in.
- ♦ Ordinary keyboard and mouse functions are suspended – only hotkey compliant keystrokes (described in the sections that follow), can be input.

Pressing [Esc] exits *Hotkey* mode.

Select the Active Port

Each KVM port is assigned a port ID (see *Port ID Numbering*, page 26). You can directly access any computer on the installation with a hotkey combination that specifies the port ID of the KVM port that a computer is connected to. To access a computer using hotkeys:

1. Invoke hotkey mode with the **[Num Lock] + [-]** or **[Ctrl] + [F12]** combination.
2. Key in the port ID.

The port ID numbers display on the command line as you key them in. If you make a mistake, use **[Backspace]** to erase the wrong number.

3. Press **[Enter]**.

After you press **[Enter]**, the KVM focus switches to the designated computer and you automatically exit hotkey mode.

Note: In hotkey mode, KVM focus will not switch to a port if an invalid switch or port number is entered. The hotkey command line will continue to display on the screen until you enter a valid switch and port number combination, or exit hotkey mode.

Auto Scan Mode

Auto Scan automatically switches, at regular intervals, among all the KVM ports that have been set as accessible under *Scan-Skip Mode*, so that their activity can be monitored automatically. See *SCAN-SKIP MODE*, page 32, for more information.

Invoking Auto Scan

To start *Auto Scan*, key in the following Hotkey combination:

1. Invoke hotkey mode with the **[Num Lock] + [-]** or **[Ctrl] + [F12]** combination.
2. Press **[A]**. After you press **A**, then **[Enter]**, you automatically exit hotkey mode, and enter *Auto Scan* mode.

- ♦ While you are in *Auto Scan* mode, you can pause the scanning in order to keep the focus on a particular computer either by pressing **P** or with a left click of the mouse. During the time that auto-scanning is paused, the command line displays: **Auto Scan: Paused**.

Pausing when you want to keep the focus on a particular computer is more convenient than exiting *Auto Scan* mode because when you resume scanning, you start from where you left off. If, on the other hand, you exited and restarted, scanning would start over from the very first computer on the installation.

To resume Auto Scanning, press any key or left-click. Scanning continues from where it left off.

- ◆ While *Auto Scan* mode is in effect, ordinary keyboard and mouse functions are suspended – only *Auto Scan* mode compliant keystrokes and mouse clicks can be input. You must exit *Auto Scan* mode in order to regain normal control of the console.
3. To exit *Auto Scan* mode press **[Esc]** or **[Spacebar]**. Auto-scanning stops when you exit *Auto Scan* mode.

Skip Mode

This feature allows you to switch between computers in order to monitor them manually. You can dwell on a particular port for as long as you like – as opposed to auto-scanning, which automatically switches after a fixed interval. To invoke *Skip* mode, key in the following hotkey combination:

1. Invoke hotkey mode with the **[Num Lock] + [-]** or **[Ctrl] + [F12]** combination.
2. Key in **[Arrow]**
 - ◆ Where **[Arrow]** refers to one of the arrow keys. After you press an arrow, you automatically exit hotkey mode and enter *Skip* mode where you can switch ports as follows:

←	Skips to the first accessible port. (See <i>Scan/Skip Mode</i> , page 32, for information regarding accessible ports.)
→	Skips to the next accessible port.

- ◆ Once you are in *Skip* mode, you can keep on skipping by pressing the arrow keys. You don't have to use the **[Num Lock] + [-]** combination again.
 - ◆ While *Skip* mode is in effect, ordinary keyboard and mouse functions are suspended – only *Skip* mode compliant keystrokes can be input. You must exit *Skip* mode in order to regain normal control of the console.
3. To exit *Skip* mode, press **[Esc]** or **[Spacebar]**.

Computer Keyboard / Mouse Reset

If the keyboard or mouse cease to function on the computer connected to the currently selected port, you can perform a keyboard / mouse reset on the computer. This function is essentially the same as unplugging and replugging the keyboard and mouse on the target computer. To perform a computer keyboard / mouse reset, key in the following hotkey combination:

1. Invoke hotkey mode with the **[Num Lock] + [-]** or **[Ctrl] + [F12]** combination.
2. Press **[F5]**.

After you press **[F5]**, you automatically exit *Hotkey* mode and regain keyboard and mouse control on the computer connected to the KVM port. If you fail to regain keyboard / mouse control on the computer after pressing **[F5]**, perform a console keyboard and mouse reset.

Hotkey Beeper Control

The beeper (see *ACTIVATE BEEPER*, page 34) can be hotkey toggled on and off. To toggle the beeper, key in the following hotkey combination:

1. Invoke hotkey mode with the **[Num Lock] + [-]** or **[Ctrl] + [F12]** combination.
2. Press **[B]**.

After you press **[B]**, the beeper toggles on or off. The command line displays *Beeper On* or *Beeper Off* for one second; then the message disappears and you automatically exit hotkey mode.

Quick Hotkey Control

The *Quick Hotkey* (see *HOTKEY*, page 32) can be toggled between [Num Lock] + [-], and [Ctrl] + [F12]. To toggle the *Quick Hotkey*:

1. Invoke hotkey mode with the [Num Lock] + [-] or [Ctrl] + [F12] combination.
2. Press [H].

After you press [H], the command line displays *HOTKEY HAS BEEN CHANGED* for one second; then the message disappears and you automatically exit *Hotkey* mode.

OSD Hotkey Control

The *OSD hotkey* (see *OSD HOTKEY*, page 31) can be toggled between *OFF*, [Scroll Lock] [Scroll Lock], or [Ctrl] [Ctrl]. To toggle the *OSD Hotkey*, key in the following hotkey combination:

1. Invoke hotkey mode with the [Num Lock] + [-] or [Ctrl] + [F12] combination.
2. Press [T].

After you press [T], the command line displays *HOTKEY HAS BEEN CHANGED* for one second; then the message disappears and you automatically exit *Hotkey* mode.

Port OS Control

A port's operating system can be changed to match that of the computer attached to the port. To change a port's operating system, key in the following hotkey combination:

1. Invoke hotkey mode with the **[Num Lock] + [-]** or **[Ctrl] + [F12]** combination.
2. Key in **[Function]**, where [Function] refers to one of the function keys in the following table:

Key	Description
F1	Sets the Port OS to Windows
F2	Sets the Port OS to Mac
F3	Sets the Port OS to Sun

After pressing a function key you automatically exit *Hotkey* mode.

Set USB Speed

Users could use the hotkey to set USB speed of the selected KVM port as low/full speed to compliant with the connected computers.

1. Invoke hotkey mode with the **[Num Lock] + [-]** or **[Ctrl] + [F12]** combination.
2. Press **[F11][L]/[F11][F]**.
3. Press **[Enter]**.

[L] Indicates the selected KVM port set as USB low speed.

[R] Indicates the selected KVM port set as USB full speed.

If users need to set all KVM ports of the selected KVM station, the hotkey commands should be **[F11][L][A]**, **[Enter]/[F11][F][A]**, **[Enter]**.

Restore Default Values

This administrator only hotkey restores the CL6708MW default values. See *RESTORE DEFAULT VALUES*, page 34. To restore the default values, key in the following hotkey combination:

1. Invoke hotkey mode with the **[Num Lock] + [-]** or **[Ctrl] + [F12]** combination.
2. Press **[R]**.
3. Press **[Enter]**.

After you press [Enter], the command line displays *RESET TO DEFAULT SETTING* for three seconds; then the message disappears and you automatically exit *Hotkey* mode.

Hotkey Summary Table

Hotkey	Function
[Num Lock] + [-] or [Ctrl] + [F12]	Switches KVM, Audio and USB focus directly to the computer that corresponds to that port ID. (PN = port number)
[A] [Enter]	Starts Auto Scan. The KVM focus cycles from port to port at the default 5-second intervals.
[A] [n] [Enter]	Starts Auto Scan at n-second intervals (n = 1–255 seconds).
[H]	Toggles between the default ([Num Lock] [-]) and alternate ([Ctrl] [F12]) Hotkey Settings Mode invocation keys.
[T]	Toggles the OSD hotkey between OFF, [Ctrl] [Ctrl] and [Scroll Lock] [Scroll Lock].
[F1]	Set the port OS to Windows.
[F2]	Set the port OS to Mac.
[F3]	Set the port OS to Sun.
[F5]	Performs a keyboard / mouse reset on the target computer.
[B]	Enables / Disables the buzzer.
[R] [Enter]	Resets hotkey settings to their default values. See <i>RESTORE DEFAULT VALUES</i> , page 34.
[D]	Invokes Video DynaSync™, ATEN's exclusive technology that eliminates boot-up display problems and optimizes resolution when switching between ports.
[M]	Enables / Disables mouse emulation.
[F11] [F] [Enter]	Sets the KVM port to be full speed USB.
[F11] [L] [Enter]	Sets the KVM port to be low speed USB.
[←]	Skips to the previous computer on the list, in Skip Mode.
[→]	Skips to the next computer on the list in, Skip Mode.
[↑]	Skips to the next accessible port. If the next accessible port has cascaded a switch, then it skips to the first accessible port of that switch, in Skip Mode.

Hotkey		Function
	[↓]	Skips to the previous accessible port. If the previous accessible port has cascaded a switch, then it skips to the last accessible port of that switch, in Skip Mode.
	[ESC] or [Spacebar]	Exits Hotkey Settings Mode.
[Ctrl] [Alt] [Shift] [U] [M] [Enter]		Configures the front USB port to mouse mode (mouse functionality is immediate upon switching to USB mouse mode). This is the default setting.
[Ctrl] [Alt] [Shift] [U] [P] [Enter]		Configures the front USB port to peripheral mode. Note: This function is not supported when the unit is cascading to another device.









This Page Intentionally Left Blank

Chapter 6

Keyboard Emulation

Mac Keyboard








The PC compatible (101/104 key) keyboard can emulate the functions of the Mac keyboard. The emulation mappings are listed in the table below.

PC Keyboard	Mac Keyboard
[Shift]	Shift
[Ctrl]	Ctrl
	
[Ctrl] [1]	
[Ctrl] [2]	
[Ctrl] [3]	
[Ctrl] [4]	
[Alt]	Alt
[Print Screen]	F13
[Scroll Lock]	F14
	=
[Enter]	Return
[Backspace]	Delete
[Insert]	Help
[Ctrl] 	F15

Note: When using key combinations, press and release the first key (Ctrl), then press and release the activation key.

Sun Keyboard

The PC compatible (101/104 key) keyboard can emulate the functions of the Sun keyboard when the control key [Ctrl] is used in conjunction with other keys. The corresponding functions are shown in the table below.

PC Keyboard	Sun Keyboard
[Ctrl] [T]	Stop
[Ctrl] [F2]	Again
[Ctrl] [F3]	Props
[Ctrl] [F4]	Undo
[Ctrl] [F5]	Front
[Ctrl] [F6]	Copy
[Ctrl] [F7]	Open
[Ctrl] [F8]	Paste
[Ctrl] [F9]	Find
[Ctrl] [F10]	Cut
[Ctrl] [1]	
[Ctrl] [2]	
[Ctrl] [3]	
[Ctrl] [4]	
[Ctrl] [H]	Help
	Compose
	

Note: When using key combinations, press and release the first key (Ctrl), then press and release the activation key.

Chapter 7

The Firmware Upgrade Utility

Introduction

The purpose of the Windows-based Firmware Upgrade Utility is to provide an automated process for upgrading all CL6708MW switches in an installation. The program comes as part of a Firmware Upgrade Package that is specific for each device.

As new firmware versions become available, new firmware upgrade packages are posted on our website. Check the website regularly to find the latest information and packages.

Downloading the Firmware Upgrade Package

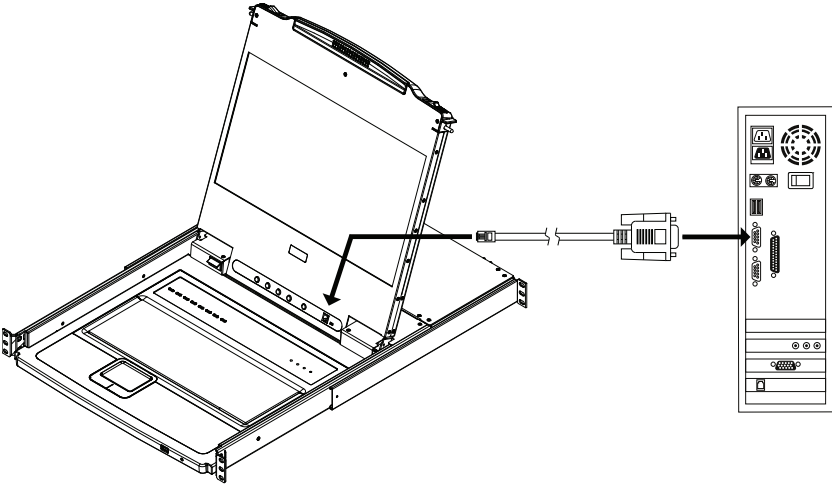
To download the firmware upgrade package:

1. From a computer that is not part of your KVM installation go to our website and choose the model name that relates to your device. A list of available firmware upgrade packages appears.
2. Choose the firmware upgrade package that you wish to install (usually the most recent) and download it to your computer.

Preparation

To prepare for the firmware upgrade, do the following:

1. Use the *firmware upgrade cable* provided with this unit to connect a COM port on your computer to the *firmware upgrade port* of your switch.



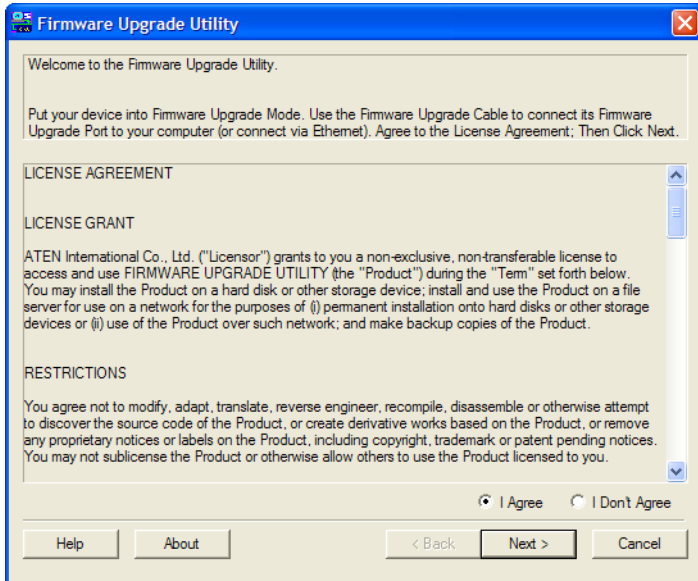
2. Shut down all the computers on the KVM installation.
3. From your KVM switch console, log into the OSD as the administrator (see page 27) and select the **F4 ADM** function.
4. Scroll down to FIRMWARE UPGRADE. Press **[Enter]**, then press **[Y]** to invoke *Firmware Upgrade Mode* (see page 35).

Starting the Upgrade

To upgrade the firmware:

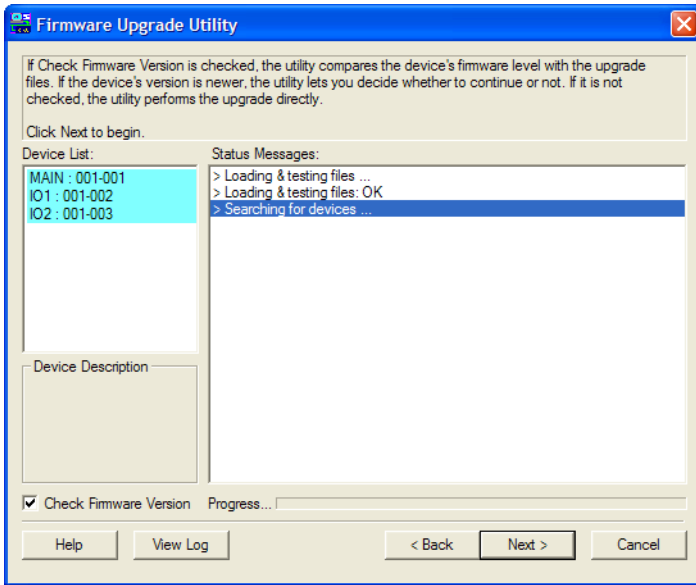
1. Run the downloaded firmware upgrade package file either by double-clicking the file icon, or by opening a command line and entering the full path to it.

The *Firmware Upgrade Utility* welcome screen appears:



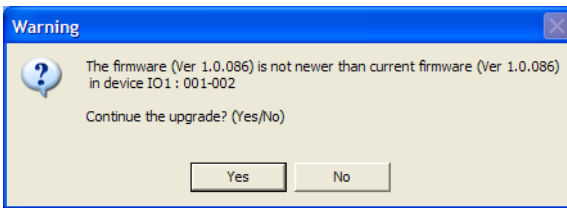
Note: The screens shown in this section are for reference only. The wording and layout of the actual screens put up by the *Firmware Upgrade Utility* may vary slightly from these examples.

2. Read and *Agree* to the License Agreement (enable the I Agree radio button).
3. Click **Next** to continue. The *Firmware Upgrade Utility* main screen appears. The devices capable of being upgraded are listed in the *Device List* panel:



4. Click **Next** to perform the upgrade.

If you enabled *Check Firmware Version*, the Utility compares the device's firmware level with that of the upgrade files. If it finds that the device's version is higher than the upgrade version, it brings up a dialog box informing you of the situation and gives you the option to continue or cancel.

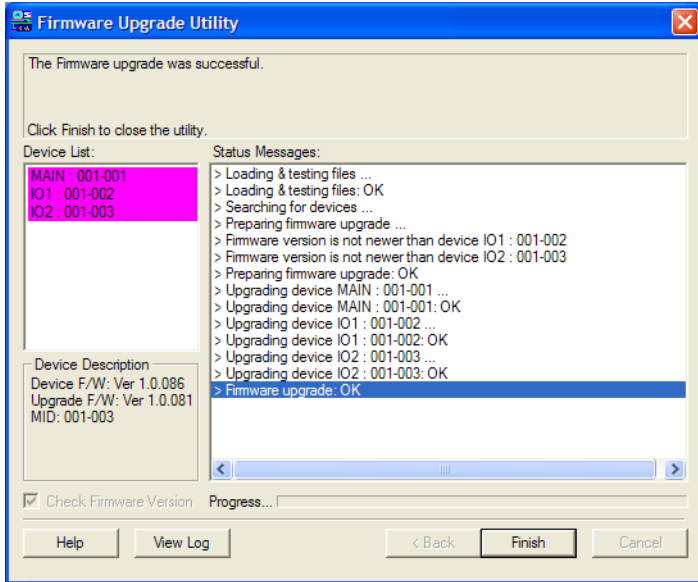


If you did not enable *Check Firmware Version*, the Utility installs the upgrade files without checking whether they are a higher level, or not.

As the upgrade proceeds, status messages appear in the *Status Messages* panel, and the progress toward completion is shown on the *Progress* bar.

Upgrade Succeeded

After the upgrade has completed, a screen appears to inform you that the procedure was successful.



Click **Finish** to close the *Firmware Upgrade Utility*.

Upgrade Failed

If the firmware upgrade fails (*Upgrade Succeeded* screen does not appear), you can recover the situation.

Possible reasons for firmware upgrade failure are:

- ◆ When a firmware upgrade was manually aborted.
- ◆ When the unit's firmware becomes corrupted for some reason and you are unable to operate it.
- ◆ When a firmware upgrade procedure is interrupted.
- ◆ When a firmware upgrade procedure fails.

To recover a failed firmware upgrade, do the following:

1. Click **Cancel** to close the Firmware Upgrade Utility.
2. Power off the unit.
3. Connect the *firmware upgrade cable* to its *firmware upgrade port*.
4. Slide the *firmware upgrade switch* to the **Recover** position.
5. Power the unit back on and repeat the upgrade procedure (see *Starting the Upgrade* on page 55).
6. After the unit has been successfully upgraded, power it off, and slide the *firmware upgrade switch* back to the **Normal** position.
7. Power the unit back on again.

Safety Instructions

General

- ◆ This product is for indoor use only.
- ◆ Read all of these instructions. Save them for future reference.
- ◆ Follow all warnings and instructions marked on the device.
- ◆ Do not place the device on any unstable surface (cart, stand, table, etc.). If the device falls, serious damage will result.
- ◆ Do not use the device near water.
- ◆ Do not place the device near, or over, radiators or heat registers.
- ◆ The device cabinet is provided with slots and openings to allow for adequate ventilation. To ensure reliable operation, and to protect against overheating, these openings must never be blocked or covered.
- ◆ The device should never be placed on a soft surface (bed, sofa, rug, etc.) as this will block its ventilation openings. Likewise, the device should not be placed in a built in enclosure unless adequate ventilation has been provided.
- ◆ Never spill liquid of any kind on the device.
- ◆ Unplug the device from the wall outlet before cleaning. Do not use liquid or aerosol cleaners. Use a damp cloth for cleaning.
- ◆ The device should be operated from the type of power source indicated on the marking label. If you are not sure of the type of power available, consult your dealer or local power company.
- ◆ The device is designed for IT power distribution systems with 230V phase-to-phase voltage.
- ◆ To prevent damage to your installation it is important that all devices are properly grounded.
- ◆ The device is equipped with a 3-wire grounding type plug. This is a safety feature. If you are unable to insert the plug into the outlet, contact your electrician to replace your obsolete outlet. Do not attempt to defeat the purpose of the grounding-type plug. Always follow your local/national wiring codes.
- ◆ Do not allow anything to rest on the power cord or cables. Route the power cord and cables so that they cannot be stepped on or tripped over.

- ◆ If an extension cord is used with this device make sure that the total of the ampere ratings of all products used on this cord does not exceed the extension cord ampere rating. Make sure that the total of all products plugged into the wall outlet does not exceed 15 amperes.
- ◆ To help protect your system from sudden, transient increases and decreases in electrical power, use a surge suppressor, line conditioner, or un-interruptible power supply (UPS).
- ◆ Position system cables and power cables carefully; Be sure that nothing rests on any cables.
- ◆ Never push objects of any kind into or through cabinet slots. They may touch dangerous voltage points or short out parts resulting in a risk of fire or electrical shock.
- ◆ Do not attempt to service the device yourself. Refer all servicing to qualified service personnel.
- ◆ If the following conditions occur, unplug the device from the wall outlet and bring it to qualified service personnel for repair.
 - ◆ The power cord or plug has become damaged or frayed.
 - ◆ Liquid has been spilled into the device.
 - ◆ The device has been exposed to rain or water.
 - ◆ The device has been dropped, or the cabinet has been damaged.
 - ◆ The device exhibits a distinct change in performance, indicating a need for service.
 - ◆ The device does not operate normally when the operating instructions are followed.
- ◆ Only adjust those controls that are covered in the operating instructions. Improper adjustment of other controls may result in damage that will require extensive work by a qualified technician to repair.
- ◆ Do not connect the RJ-11 connector marked “UPGRADE” to a public telecommunication network.

Rack Mounting

- ◆ Before working on the rack, make sure that the stabilizers are secured to the rack, extended to the floor, and that the full weight of the rack rests on the floor. Install front and side stabilizers on a single rack or front stabilizers for joined multiple racks before working on the rack.
- ◆ Always load the rack from the bottom up, and load the heaviest item in the rack first.
- ◆ Make sure that the rack is level and stable before extending a device from the rack.
- ◆ Do not overload the AC supply branch circuit that provides power to the rack. The total rack load should not exceed 80 percent of the branch circuit rating.
- ◆ Make sure that all equipment used on the rack – including power strips and other electrical connectors – is properly grounded.
- ◆ Ensure that proper airflow is provided to devices in the rack.
- ◆ Ensure that the operating ambient temperature of the rack environment does not exceed the maximum ambient temperature specified for the equipment by the manufacturer
- ◆ Do not step on or stand on any device when servicing other devices in a rack.

Consignes de sécurité

Général

- ♦ Ce produit est destiné exclusivement à une utilisation à l'intérieur.
- ♦ Veuillez lire la totalité de ces instructions. Conservez-les afin de pouvoir vous y référer ultérieurement.
- ♦ Respectez l'ensemble des avertissements et instructions inscrits sur l'appareil.
- ♦ Ne placez jamais l'unité sur une surface instable (chariot, pied, table, etc.). Si l'unité venait à tomber, elle serait gravement endommagée.
- ♦ N'utilisez pas l'unité à proximité de l'eau.
- ♦ Ne placez pas l'unité à proximité de ou sur des radiateurs ou bouches de chaleur.
- ♦ Le boîtier de l'unité est doté de fentes et d'ouvertures destinées à assurer une ventilation adéquate. Pour garantir un fonctionnement fiable et protéger l'unité contre les surchauffes, ces ouvertures ne doivent jamais être bloquées ou couvertes.
- ♦ L'unité ne doit jamais être placée sur une surface molle (lit, canapé, tapis, etc.) car ses ouvertures de ventilation se trouveraient bloquées. De même, l'unité ne doit pas être placée dans un meuble fermé à moins qu'une ventilation adaptée ne soit assurée.
- ♦ Ne renversez jamais de liquides de quelque sorte que ce soit sur l'unité.
- ♦ Débranchez l'unité de la prise murale avant de la nettoyer. N'utilisez pas de produits de nettoyage liquide ou sous forme d'aérosol. Utilisez un chiffon humide pour le nettoyage de l'unité.
- ♦ L'appareil doit être alimenté par le type de source indiqué sur l'étiquette. Si vous n'êtes pas sûr du type d'alimentation disponible, consultez votre revendeur ou le fournisseur local d'électricité.
- ♦ Afin de ne pas endommager votre installation, vérifiez que tous les périphériques sont correctement mis à la terre.
- ♦ L'unité est équipée d'une fiche de terre à trois fils. Il s'agit d'une fonction de sécurité. Si vous ne parvenez pas à insérer la fiche dans la prise murale, contactez votre électricité afin qu'il remplace cette dernière qui doit être obsolète. N'essayez pas d'aller à l'encontre de l'objectif de la fiche de terre. Respectez toujours les codes de câblage en vigueur dans votre région/pays.

- ◆ L'équipement doit être installé à proximité de la prise murale et le dispositif de déconnexion (prise de courant femelle) doit être facile d'accès.
- ◆ La prise murale doit être installée à proximité de l'équipement et doit être facile d'accès.
- ◆ Veillez à ce que rien ne repose sur le cordon d'alimentation ou les câbles. Acheminez le cordon d'alimentation et les câbles de sorte que personne ne puisse marcher ou trébucher dessus.
- ◆ En cas d'utilisation d'une rallonge avec cette unité, assurez-vous que le total des ampérages de tous les produits utilisés sur cette rallonge ne dépasse pas l'ampérage nominal de cette dernière. Assurez-vous que le total des ampérages de tous les produits branchés sur la prise murale ne dépasse pas 15 ampères.
- ◆ Pour contribuer à protéger votre système contre les augmentations et diminutions soudaines et transitoires de puissance électrique, utilisez un parasurtenseur, un filtre de ligne ou un système d'alimentation sans coupure (UPS).
- ◆ Placez les câbles du système et les câbles d'alimentation avec précaution ; veillez à ce que rien ne repose sur aucun des câbles.
- ◆ Lors du branchement ou du débranchement à des blocs d'alimentation permettant la connexion à chaud, veuillez respecter les lignes directrices suivantes:
- ◆ Installez le bloc d'alimentation avant de brancher le câble d'alimentation à celui-ci.
- ◆ Débranchez le câble d'alimentation avant de retirer le bloc d'alimentation.
- ◆ Si le système présente plusieurs sources d'alimentation, déconnectez le système de l'alimentation en débranchant tous les câbles d'alimentation des blocs d'alimentation.
- ◆ N'insérez jamais d'objets de quelque sorte que ce soit dans ou à travers les fentes du boîtier. Ils pourraient entrer en contact avec des points de tension dangereuse ou court-circuiter des pièces, entraînant ainsi un risque d'incendie ou de choc électrique.
- ◆ N'essayez pas de réparer l'unité vous-même. Confiez toute opération de réparation à du personnel qualifié.
- ◆ Si les conditions suivantes se produisent, débranchez l'unité de la prise murale et amenez-la à un technicien qualifié pour la faire réparer:
 - ◆ Le cordon d'alimentation ou la fiche ont été endommagés ou éraillés.
 - ◆ Du liquide a été renversé dans l'unité.

- ◆ L'unité a été exposée à la pluie ou à l'eau.
- ◆ L'unité est tombée ou le boîtier a été endommagé.
- ◆ Les performances de l'unité sont visiblement altérées, ce qui indique la nécessité d'une réparation.
- ◆ L'unité ne fonctionne pas normalement bien que les instructions d'utilisation soient respectées.
- ◆ N'utilisez que les commandes qui sont abordées dans le mode d'emploi. Le réglage incorrect d'autres commandes peut être à l'origine de dommages qui nécessiteront beaucoup de travail pour qu'un technicien qualifié puisse réparer l'unité.
- ◆ Ne connectez pas le connecteur RJ-11 portant la marque « Sensor » (Capteur) à un réseau de télécommunication public.

Montage sur bâti

- ◆ Avant de travailler sur le bâti, assurez-vous que les stabilisateurs sont bien fixés sur le bâti, qu'ils sont étendus au sol et que tout le poids du bâti repose sur le sol. Installez les stabilisateurs avant et latéraux sur un même bâti ou bien les stabilisateurs avant si plusieurs bâtis sont réunis, avant de travailler sur le bâti.
- ◆ Chargez toujours le bâti de bas en haut et chargez l'élément le plus lourd en premier.
- ◆ Assurez-vous que le bâti est à niveau et qu'il est stable avant de sortir une unité du bâti.
- ◆ Agissez avec précaution lorsque vous appuyez sur les loquets de libération du rail d'unité et lorsque vous faites coulisser une unité dans et hors d'un bâti ; vous pourriez vous pincer les doigts dans les rails.
- ◆ Une fois qu'une unité a été insérée dans le bâti, étendez avec précaution le rail dans une position de verrouillage puis faites glisser l'unité dans le bâti.
- ◆ Ne surchargez pas le circuit de l'alimentation CA qui alimente le bâti. La charge totale du bâti ne doit pas dépasser 80 % de la capacité du circuit.
- ◆ Assurez-vous que tous les équipements utilisés sur le bâti, y-compris les multiprises et autres connecteurs électriques, sont correctement mis à la terre.
- ◆ Assurez-vous que les unités présentes dans le bâti bénéficie d'une circulation d'air suffisante.

- ◆ Assurez-vous que la température ambiante de fonctionnement de l'environnement du bâti ne dépasse pas la température ambiante maximale spécifiée pour l'équipement par le fabricant.
- ◆ Ne marchez sur aucun appareil lors de la maintenance d'autres appareils d'un bâti.

Technical Support

International

- ◆ For online technical support – including troubleshooting, documentation, and software updates: <http://support.aten.com>
- ◆ For telephone support, see *Telephone Support*, page iv:

North America

Email Support		support@aten-usa.com
Online Technical Support	Troubleshooting Documentation Software Updates	http://www.aten-usa.com/support
Telephone Support		1-888-999-ATEN ext 4988 1-949-428-1111

When you contact us, please have the following information ready beforehand:

- ◆ Product model number, serial number, and date of purchase.
- ◆ Your computer configuration, including operating system, revision level, expansion cards, and software.
- ◆ Any error messages displayed at the time the error occurred.
- ◆ The sequence of operations that led up to the error.
- ◆ Any other information you feel may be of help.

Manufacturing Number

The “MFG Number” (Manufacturing Number) is an internal serial number used by ATEN’s factory and technical support staff to identify products. This number does not affect products’ warranty. If your product requires after-sales services, you may provide the MFG Number to ATEN’s sales or technical support staff to identify the product and model number.

Find your MFG Number from the OSD firmware upgrade menu. Refer to *FIRMWARE UPGRADE* on page 35

Specifications

Function		CL6708MW
Computer Connections	Direct	8
	Max.	64
Console Selection		OSD, Hotkey, Pushbutton
Connectors	KVM Ports	8 x DVI-I Female (White) 8 x USB Type B Female 8 x 3.5mm Audio Jack Female (Green)
	External Console	1 x DVI-I Female (White) 2 x USB Type A Female 1 x 3.5mm Audio Jack Female (Green)
	External Mouse / Peripheral	1 x USB Type-A Female (Front)
	Firmware Upgrade	1 x RJ-11 Female
	Power	1 x IEC 60320/C14
LEDs	Online	8 (Orange)
	Selected	8 (Green)
	Power	1 x KVM Power (Dark Green) 1 x LCD Power (Orange)
	Lock	1 x Num Lock (Green) 1 x Caps Lock (Green) 1 x Scroll Lock (Green)
Switches	KVM Reset	1 x Semi-recessed Pushbutton
	Firmware Upgrade	1 x Slide Switch
	Power	1 x Rocker Switch
	LCD Control	4 x Pushbutton
	LCD Power	1 x LED Pushbutton
	Port Selection	8 x Pushbutton
Emulation	Keyboard / Mouse	USB
Video		up to 1920 x 1200 @ 60 Hz; 1920 x 1080 @ 60 Hz, DDC2B
Maximum Input Power Rating		100 – 240 V AC, 50/60 Hz, 1 A
Power Consumption		110 V / 29.26 W 220 V / 28.82 W
Environment	Operating Temp.	0 – 40 °C
	Storage Temp.	-20 – 60 °C
	Humidity	0–80% RH, Non-condensing

Function		CL6708MW
Physical Properties	Housing	Metal + Plastic
	Weight	12.70 kg (27.97 lb)
	Dimensions (L x W x H)	48.00 x 68.92 x 4.40 cm (18.9 x 27.13 x 1.73 in.)

Connection Table

The following table indicates the relationship between the number of units and the number of computers that they control on a cascaded installation.

CL6708MW to Compatible 8-Port Switches

Number of Switches	Computers
1	1-8
2	9-16
3	17-24
4	25-32
5	33-40
6	41-48
7	49-56
8	57-64

Supported KVM Switches

The table below lists the KVM switch that is compatible with the CL6708MW and the type of expansion that it uses. The switch listed below is sold separately. Contact your dealer for details.

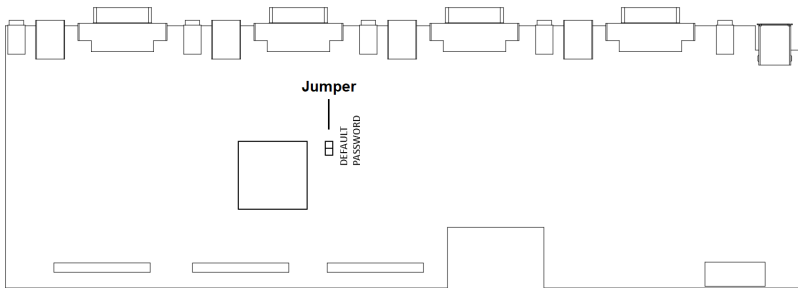
Expansion Type	Brand	Model	Name
Cascade	ATEN	CS1768	8-Port USB DVI KVM Switch

Restoring Factory Default Settings

You can hardware restore the factory default settings of the unit. Restoring the settings will remove all created administrator and user accounts, port names and settings.

Note: A jumper cap is required when performing this procedure.

1. Power off the unit and remove the top cover from the unit chassis.
2. Short the jumper (labeled *Default Password*) on the unit's main board using a jumper cap.



3. Power on the unit and the following message will appear:

```
USERNAME AND PASSWORD INFORMATION AND PORT/USER  
INFORMATION HAS BEEN CLEARED. PLEASE POWER OFF THE  
SWITCH, REMOVE THE JUMPER, CLOSE THE CASE, THEN  
RESTART.
```
4. Power off the unit again and remove the jumper cap.
5. Replace the unit's top cover and power on the unit.
6. If factory reset was successful, you should only be able to log into the unit using the default username/password.

OSD Factory Default Settings

The factory default settings are as follows:

Setting	Default
OSD Hotkey	[Scroll Lock] [Scroll Lock]
Port ID Display Position	Upper Left Corner
Port ID Display Duration	3 Seconds
Port ID Display Mode	Port Number plus Port Name
Scan Duration	5 Seconds
Scan-Skip Mode	All
Screen Blanker	0 (Disabled)
Logout Timeout	0 (Disabled)
Beeper	Y (Activated)
Accessible Ports	F (Full) For all Users on all Ports

Troubleshooting

Operation problems can be due to a variety of causes. The first step in solving them is to make sure that all cables are securely attached and seated completely in their sockets.

In addition, updating the product's firmware may solve problems that have been discovered and resolved since the prior version was released. If your product is not running the latest firmware version, we strongly recommend that you upgrade. See *The Firmware Upgrade Utility*, page 53, for upgrade details.

Symptom	Possible Cause	Action
Erratic behavior.	Unit not receiving enough power.	Check that the power adapter that was supplied with the unit is plugged in and functioning properly.
There are ghost images on the external monitor.	The distance between the external console and the CL6700MW is too great.	The maximum DVI cable distance should not exceed 20m and, in some cases, may need to be shorter. Replace the DVI cable with one of an appropriately short length.
Some characters I enter from the keyboard do not display correctly.	The keyboard layout setting for the port does not match the keyboard you are using.	On your switch, change the keyboard layout setting for the port to match the layout of the keyboard you are using.
I can't use the special keys on the Sun external keyboard to control Sun computers.	Incorrect keyboard emulation.	Use Sun keyboard emulation keystrokes (page 52) to achieve all Sun keyboard functions.

Limited Warranty

ATEN warrants its hardware in the country of purchase against flaws in materials and workmanship for a Warranty Period of two [2] years (warranty period may vary in certain regions/countries) commencing on the date of original purchase. This warranty period includes the [LCD panel of ATEN LCD KVM switches](#). Select products are warranted for an additional year (see [A+ Warranty](#) for further details). Cables and accessories are not covered by the Standard Warranty.

What is covered by the Limited Hardware Warranty

ATEN will provide a repair service, without charge, during the Warranty Period. If a product is defective, ATEN will, at its discretion, have the option to (1) repair said product with new or repaired components, or (2) replace the entire product with an identical product or with a similar product which fulfills the same function as the defective product. Replaced products assume the warranty of the original product for the remaining period or a period of 90 days, whichever is longer. When the products or components are replaced, the replacing articles shall become customer property and the replaced articles shall become the property of ATEN.

To learn more about our warranty policies, please visit our website:
<http://www.aten.com/global/en/legal/policies/warranty-policy/>

© Copyright 2022 ATEN® International Co., Ltd.
Released: 2022-06-24

ATEN and the ATEN logo are registered trademarks of ATEN International Co., Ltd. All rights reserved. All other brand names and trademarks are the registered property of their respective owners.