

EonStor® A08S-C2131
EonStor® A08S-C2132

Infotrend®

EonStor® A08S Cube RAID Series

Affordable and reliable choice
for enhanced performance



OVERVIEW

Technology

The A08S Cube RAID series adopts the latest Serial Attached SCSI (SAS) interface technology. It resembles SCSI in reliability but excels in performance. In the applications involving intensive throughput and transactions, A08S can provide satisfactory processing efficiency. Supporting different formats of video streams, it embodies the outstanding performance and data protection which editing jobs demands.

Outlook

Besides the configuration-convertible (tower and desktop) feature inherited from the previous Cube series, it further provides trendy choice of silver enclosure. You can enjoy the settings flexible for vertical and horizontal space allocations without sacrificing your elegant taste.

Cost-effectiveness

To save you from unnecessary expenses, we provide two models for your choice. Depending on the application needs, you can select the configuration of either one or two SAS ports and power supply modules. The flexibility allows you to take the most advantage of the limited budget.

Management

Besides the LED indicators, audible alarms, and firmware utility, we also provide the powerful software suite, SANWatch, for your easy management of the subsystem. Its intuitive GUI and robust administration features bring you simplicity in array configuration and monitoring. Whether via Intranet or Internet, the status of your subsystem is always at your fingertips.

LEADING TECHNOLOGY

World's First Desktop RAID with SAS Host Interface

Performance

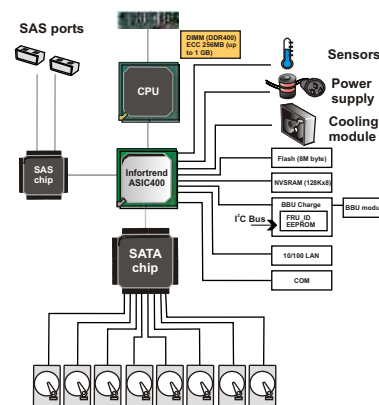
- Supports operations which require high bandwidth, such as video editing

Reliability

- Various event notification methods, including the powerful management suite, SANWatch

Availability

- Redundant, fault-tolerant, hot-swappable hardware modules



HIGHLIGHTS

A08S-C2131/2132: Multi-lane SAS to Cost-effective SATA

- SAS host interface technology
- Supports video streams up to uncompressed 10-bit 1080p HD
- Convertible configuration: tower or desktop
- Two colors of enclosure: black or silver
- Space economic: allows the maximum of 4 subsystems stacked together (connect to different hosts, not cascading)
- Flexible choice:
 - 1 PSU and 1 SAS port (A08S-C2131) or 2 PSUs and 2 SAS ports (A08S-C2132)
 - optional installation of 1 additional PSU for A08S-C2131
- Drive interface: 3Gbps SATA-II disk drives
- 5th generation, ASIC400 architecture:
 - Hardware RAID5 + RAID6 engine
- SANWatch management suite
- High availability fault-tolerant hardware
- Low noise:
 - noise lower than 41 dBA when the fans in low speed mode



AVAILABLE MODELS

Models	A08S-C2131	A08S-C2132
Controller	Single	Single
Host Ports	1 (SFF-8088)	2 (SFF-8088)
Channels	1, multi-lane	2, multi-lane
Drive Bays	8	8



A08S-C2132

A08S-C2131

SPECIFICATIONS

Subsystem Characteristics

- ASIC400 RAID engine
- Up to 1GB cache
- SAS host port (A08S-C2131) 1
- SAS host port (A08S-C2132) 2
- LCD keypad panel 1
- Default DDR cache memory 256MB
- 10/100 Ethernet port 1
- COM port 1
- PSU (A08S-C2131) 1
- PSU (A08S-C2132) 2
- Cooling modules 2
- Diagnostic LEDs on all FRUs

Optional Module

- BBU 1
- Additional PSU (A08S-C2131) 1

Drive Interface

- No. of disk trays 8
- 3Gbps SATA-II

Host Connection Ports

- Data single path bandwidth SAS: 12Gbps
- Tag command queuing 256

RAID Configurations

- RAID levels 0, 1(0+1), 3, 5, 6, 10, 30, 50, 60
- Multiple array configurations
- Background rebuild/scan/initialization
- Infortrend Smart fault management technologies

High Availability

- Redundant, hot-swappable FRUs
- Subsystem self-diagnostics
- Li-Ion battery backup (optional)

Approvals

- BSMI, CB, UL, FCC Class B, CE/FCC, CCC, RoHS

OS Support

- Microsoft Windows 2000 Server/2003 Server
- Sun Solaris ver. 9/10
- Red Hat Linux ver. 8/9, 64bit, Enterprise ver. 3
- SuSE: Linux ver. 8/9, 64bit
- Fedora 64bit
- MAC OS X Version 10.4
- Windows XP and Vista

Requirements

- AC Input: 90-264 VAC with PFC
- DC Output: 12V-16A; 5V-25A; 3.3V-20A
- Consumption: 250W

- Relative Humidity: 5% to 95% non-condensing
- Operating Temperature: 0°C to 35°C (operating) -40°C to 60°C (non-operating)

Dimensions (tower)

- 155mm W x 370mm H x 343mm D

Net Weight

- A08S-C2131: 11.4 kg
- A08S-C2132: 12.5 kg

Management

- Java-based SANWatch software
- Terminal via RS-232C
- Telnet over Ethernet
- LCD keypad panel
- Event notification methods: Email/Fax/LAN broadcast/SNMP traps/SMS/MSN



Asia Pacific

Tel: +886-2-2226-0126
Fax: +886-2-2226-0020
<http://www.infortrend.com>

Americas

Tel: +1-408-988-5088
Fax: +1-408-988-6288
<http://www.infortrend.com/americas>

Europe

Tel: +44 (0)1256-707700
Fax: +44 (0)1256-707889
<http://www.infortrend.com/europe>

China

Tel: +86-10-63106168
Fax: +86-10-63106188
<http://www.infortrend.com/china>

Japan

Tel: +81-3-5730-6551
Fax: +81-3-5730-6552
<http://www.infortrend.com/japan>

Germany

Tel: +49 (0) 89 45 15 18 7 - 0
Fax: +49 (0)89 45 15 187 - 65
<http://www.infortrend.com/germany>