

A24S-R2130
A24S-G2130



EonStor[®] A24S 4U RAID Series

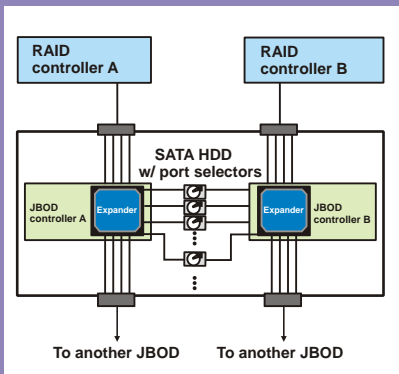
High performance density and
flexible scalability
for
DAS over Multi-lane SAS



OVERVIEW

The A24S RAID series is the first 4U-profile RAID system using the latest Serial Attached SCSI (SAS) interface technology. With the SAS end-to-end connectivity, many folds of host-side bandwidth as well as the flexibility with drive-side expansion are now possible. Similar to the trusted SCSI in the traditional direct-attached storage, cascade ports are provided with the A24S to join the computing power of multiple RAID systems over the host busses.

HIGH AVAILABILITY



With the help of port selector mechanisms, (MUX boards), data paths are routed through redundant expanders and controller modules to ensure the optimal availability of your data.

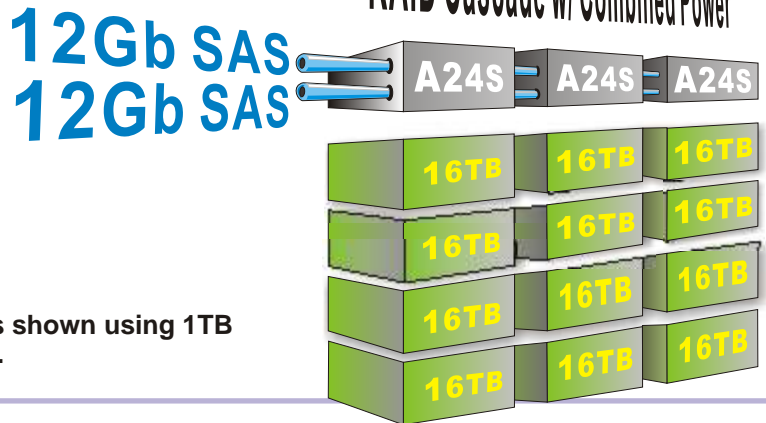
In addition to path redundancy, all components are designed to withstand harsh environments and strenuous work loads. The intelligent, sophisticated firmware algorithms ensure the enclosure can be operated with an ease of mind.

LARGE CAPACITY

A total of 264 terabytes capacity by cascading RAID enclosures and attaching expansion enclosures.

264TB

RAID Cascade w/ Combined Power



* The idea is shown using 1TB SATA HDD.

HIGHLIGHTS

A24S-R/G2130: Multi-lane SAS to Cost-effective SATA

- High availability dual-active or single RAID controllers and fault-tolerant hardware
- Drive interface: 3Gbps SATA-II disk drives
- Max. Scalability: redundant-controller: 1 RAID + 2 JBOD
single-controller: 1 RAID + 4 JBOD
- 5th generation, ASIC400 architecture:
 - Hardware RAID5 + RAID6 engine
 - Dedicated, 18Gbps sync. cache channels
- EonPath Multi-pathing software
- SANWatch management suite w/ Snapshot protection
- 64-bit LBA support
- RAID and JBOD matching table:

| RAID Model | 3U JBOD (SATA) | Configuration |
|------------|----------------|---------------------------------------|
| A24S-R2130 | S16S-J1000-R | Dual-controller; fault-tolerant paths |
| A24S-G2130 | S16S-J1000-S | Single-controller; single path |

* SFF-8088 to SFF-8470 cables are necessary for attaching JBOD.

AVAILABLE MODELS

| Models | Controller | Host Ports | Channels | Drive Bays | Scalability | |
|-------------------|------------|--------------|--------------|------------|-------------------------------|---------------------------------|
| | | | | | Exp. enclosures | RAID Cascade |
| A24S-R2130 | Redundant | 8 (SFF-8088) | 4 multi-lane | 24 | 1 RAID + 2 JBOD (56 SATA HDD) | 3 RAID + 6 JBOD (168 SATA HDD) |
| A24S-G2130 | Single | 4 (SFF-8088) | 2 multi-lane | 24 | 1 RAID + 4 JBOD (88 SATA HDD) | 3 RAID + 12 JBOD (264 SATA HDD) |

A24S-R2130



A24S-G2130



SPECIFICATIONS

Subsystem Characteristics

- ASIC400 RAID engine
- Up to 2GB cache (per controller)
- SAS host ports (per controller) 4
- LCD keypad panel 1
- BBU (per controller) 1
- Default DDR cache memory (per controller) 512MB
- 10/100 Ethernet port (per controller) 1
- COM ports (per controller) 2
- PSUs 3
- Cooling modules 2
- Diagnostic LEDs on all FRUs

Drive Interface

- No. of disk trays 24
- 3Gbps SATA-II
- Enclosure service via I²C or in-band over SAS links
- SAS multi-lane expansion port (per controller) 1

Host Connection Ports

- Data single path bandwidth SAS: 12Gbps
- Tag command queuing 256

RAID Configurations

- RAID levels 0, 1(0+1), 3, 5, 6, 10, 30, 50, 60
- Up to 32 logical drives (varied by memory size)
- Up to 1024 LUNs (varied by memory size)
- Multiple array configurations
- Background rebuild/scan/initialization
- Infortrend Smart fault management technologies

High Availability

- Redundant, hot-swappable FRUs
- Subsystem self-diagnostics
- Li-Ion battery backup (standard for R2130)
- UPS status detection
- Cluster ready

Management

- Java-based SANWatch software
- Terminal via RS-232C
- Telnet over Ethernet
- LCD keypad panel
- Event notification methods: Email/Fax/LAN broadcast/SNMP traps/SMS/MSN

OS Support

- Microsoft Windows 2000 Server/2003 Server
- Sun Solaris ver. 9/10
- Red Hat Linux ver. 8/9, 64bit, Enterprise ver. 3
- SuSE: Linux ver. 8/9, 64bit
- Fedora 64bit
- MAC OS X Version 10.4

Requirements

- AC Input: 100-240VAC 405W with PFC
- DC Output: 12V-24A; 5V-36A; 3.3V-20A
- Consumption: 434W busy; 408.9W idle

- Relative Humidity: 5% to 95% non-condensing
- Operating Temperature: 0°C to 40°C (without BBU) 0°C to 35°C (with BBU)

Dimensions

- With chassis ears/protrusions: 482mm W x 174.4mm H x 514mm D (19 x 6.86 x 20.2 inches)
- Without chassis ears/protrusions: 445mm W x 174.4mm H x 498mm D (17.5 x 6.86 x 19.6 inches)

Certificates

- IEC 60068-2,
- MIL-STD-810E/883E,
- ISTA,
- ASTM-D3332,
- IPC-TM-650
- IEC 1000-4
- IEC 1000-3-2, IEC 1000-3-3
- ISO 7779/3744

- RoHS
- Microsoft WHQL- Windows Server 2003

EMC

- CE
- EN 55022: 1998/A1; 2000/A2; 2003
- EN 61000-3-2: 2000/A2; 2005
- EN 61000-3-3: 1995/A1; 2001
- EN 55024: 1998/A1; 2001/A2; 2003
- FCC (FCC Part 15, subpart B)
- BSMI (CNS 13438)

Safety

- UL (60950-1: 2003)
- BSMI
- CNS 14336: 1993
- IEC 60950-1, First Edition

ASIA PACIFIC
Infortrend Technology, Inc.
Tel: +886-2-2226-0126
Fax: +886-2-2226-0020
sales.ap@infortrend.com
support.ap@infortrend.com
http://esupport.infortrend.com.tw
http://www.infortrend.com

AMERICAS
Infortrend Corporation
Tel: +1-408-988-5088
Fax: +1-408-988-6288
sales.us@infortrend.com
http://esupport.infortrend.com
http://www.infortrend.com/americas

CHINA
Infortrend Technology, Ltd.
Tel: +86-10-63106168
Fax: +86-10-63106188
sales.cn@infortrend.com
support.cn@infortrend.com
http://esupport.infortrend.com.tw
http://www.infortrend.com/china

JAPAN
Infortrend Japan, Inc.
TEL: +81-3-5730-6551
FAX: +81-3-5730-6552
sales.jp@infortrend.com
support.jp@infortrend.com
http://esupport.infortrend.com.tw
http://www.infortrend.com/japan

EUROPE
Infortrend Europe Ltd.
Tel: +44-1256-707-700
Fax: +44-1256-707-889
sales.eu@infortrend.com
support.eu@infortrend.com
http://esupport.infortrend-europe.com
http://www.infortrend.com/europe

GERMANY
Infortrend Deutschland GmbH
Tel: +49(0)894515187- 0
Fax: +49(0)894515187- 65
sales.de@infortrend.com
support.eu@infortrend.com
http://www.infortrend.com/germany